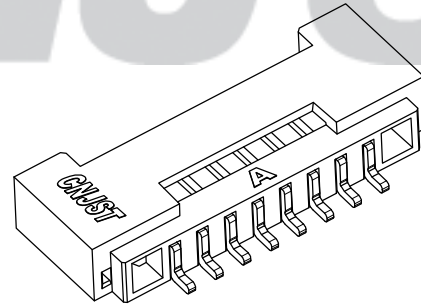
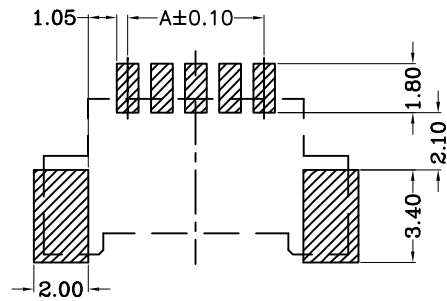
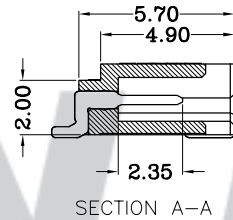
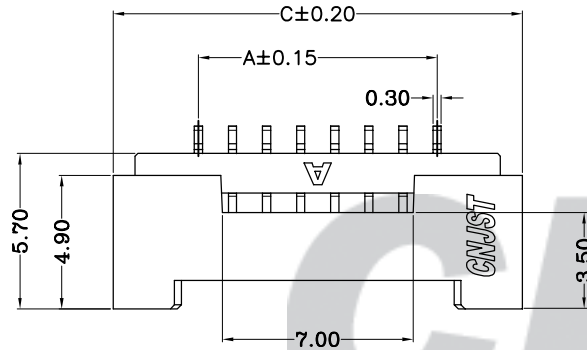
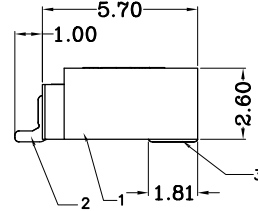
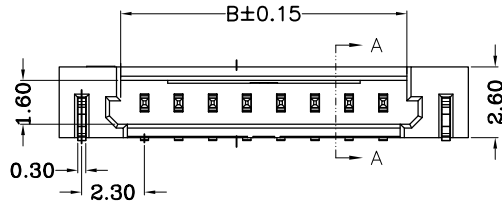


RoHS Compliant

成品图



SPECIFICATION

- 1 Contact resistance: $\leq 20m\Omega$
- 2 Insulation resistance: $\geq 500M\Omega$
- 3 Rated voltage: 150 V AC DC
- 4 Rated current: 1.0 A AC DC
- 5 Withstand Voltage: 500V AC/minute
- 6 Temperature Range: $-25^{\circ}C \sim +85^{\circ}C$

ORDER INFORMATION:

A1259AWR-**-F2MB-R			
PART No.		PACKAGING:	R=REEL
No. OF CIRCUITS:	02~30	PLATING:	B=Matte Sn
PLASTIC MATERIAL:	F2M=LCP (Nature)		

Circuit No.	Dimensions			Circuit No.	Dimensions		
	A	B	C		A	B	C
02P	1.25	3.00	7.50	11P	12.50	14.25	18.75
03P	2.50	4.25	8.75	12P	13.75	15.50	20.00
04P	3.75	5.50	10.00	13P	15.00	16.75	20.25
05P	5.00	6.75	11.25	14P	16.25	18.00	22.50
06P	6.25	8.00	12.50	15P	17.50	19.25	23.75
07P	7.50	9.25	13.75	20P	23.75	25.50	30.00
08P	8.75	10.50	15.00	25P	30.00	31.75	36.25
09P	10.00	11.75	16.25	30P	36.25	38.00	42.50
10P	11.25	13.00	17.50				

B/O	2016.06.06	NEW RELEASE	
REV.	DATE	DESCRIPTION	APPD.

③	Solder Tab	2	Brass	Tin-plated
②	Material	02~30	Phosphor Bronze	Tin-plated
①	Insulator	1	LCP (UL94V-0)	Nature
NO.	DESCRIPTION	QTY	MATERIAL	PLATING/COLOR

Tolerance	Model Name: 1.00mm Pitch 90° Single Row Wafer With Lock-SMT TYPE
X.X ±0.30	Model No: A1259AWR-**-F2MB-R
X.XX ±0.20	
X.XXX ±0.10	
Angle ±3.0°	
UNIT: mm	CNJST 浙江捷仕泰电子有限公司 ZHEJIANG JIESHITAI ELECTRONIC CO., LTD

Drawn: 蔡忠忠 2016.06.06
Checked: 林旭芝
Approved: 刘祚杰
DWG NO. CNJST/GCCP-0287