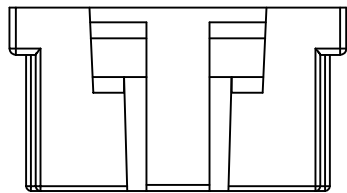
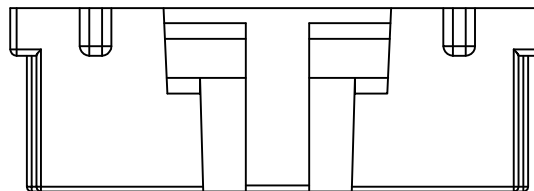


RoHS Compliant

成品图



02P~10P



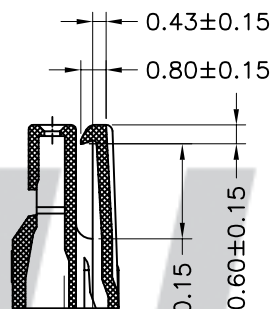
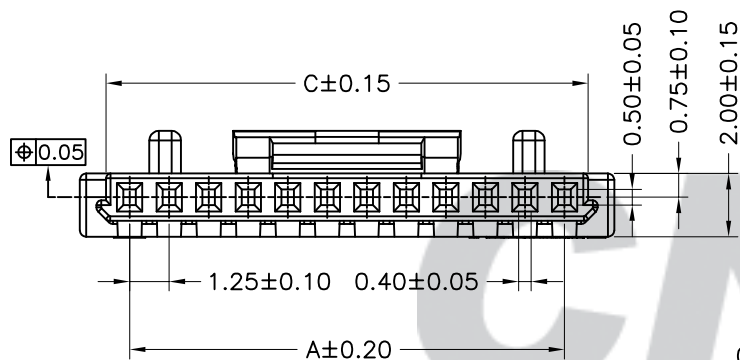
11P~30P

SPECIFICATION

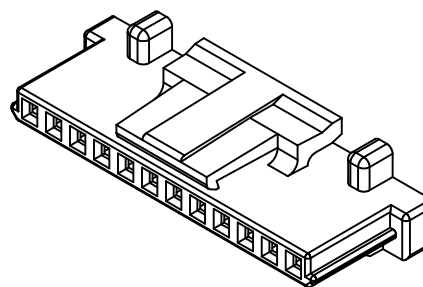
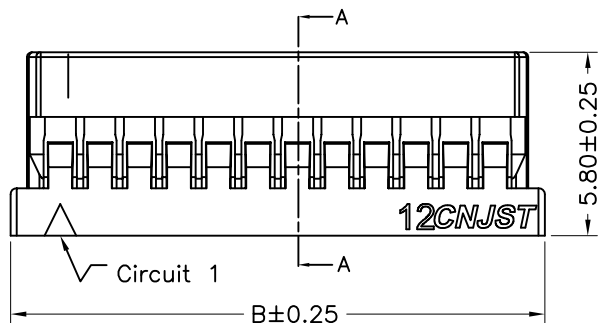
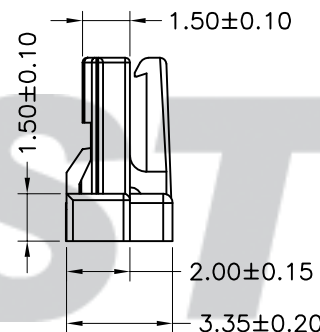
- 1 Contact resistance:  $\leq 20m\Omega$
- 2 Insulation resistance:  $\geq 500M\Omega$
- 3 Rated voltage: 150 V AC DC
- 4 Rated current: 1.0 A AC DC
- 5 Withstand Voltage: 500V AC/minute
- 6 Temperature Range:  $-25^{\circ}C \sim +85^{\circ}C$

ORDER INFORMATION:

|                   |  |                 |
|-------------------|--|-----------------|
| A1259Y-**-A6W-P   |  |                 |
| PART No.          |  | PACKAGING: P=PE |
| No. OF CIRCUITS:  |  |                 |
| 02~30             |  |                 |
| PLASTIC MATERIAL: |  |                 |
| A6W=PA66 (WHITE)  |  |                 |



SEC:A-A



| Circuits | Dimensions |       |       |
|----------|------------|-------|-------|
|          | A          | B     | C     |
| 02       | 1.25       | 4.40  | 2.75  |
| 03       | 2.50       | 5.65  | 4.00  |
| 04       | 3.75       | 6.90  | 5.25  |
| 05       | 5.00       | 8.15  | 6.50  |
| 06       | 6.25       | 9.40  | 7.75  |
| 07       | 7.50       | 10.65 | 9.00  |
| 08       | 8.75       | 11.90 | 10.25 |
| 09       | 10.00      | 13.15 | 11.50 |
| 10       | 11.25      | 14.40 | 12.75 |
| 11       | 12.50      | 15.65 | 14.00 |
| 12       | 13.75      | 16.90 | 15.25 |
| 13       | 15.00      | 18.15 | 16.50 |
| 14       | 16.25      | 19.40 | 17.75 |
| 15       | 17.50      | 20.65 | 19.00 |
| 20       | 23.75      | 26.90 | 25.25 |
| 25       | 30.00      | 33.15 | 31.50 |
| 30       | 36.25      | 39.40 | 37.75 |

|  |  |               |                         |
|--|--|---------------|-------------------------|
| Tolerance<br>X.X ±0.30<br>X.XX ±0.20<br>X.XXX ±0.10<br>Angle ±3.0° | Model Name: 1.25mm pitch Housing                                   |               | Drawn: 张育斌 2016.05.24   |
|  | Model No: A1259Y-**-A6W-P  |               |                         |
| UNIT: mm   | SCALE: FULL  | REVISION: B/0 | Checked: 林旭芝            |
|  | <b>CNJST</b> 浙江捷仕泰电子有限公司<br>ZHEJIANG JIESHITAI ELECTRONIC CO., LTD |               | Approved: 刘祚杰           |
|  |  |               | DWG NO. CNJST/GCCP-0286 |

|               |             |             |       |     |             |     |                |               |
|---------------|-------------|-------------|-------|-----|-------------|-----|----------------|---------------|
| B/02016.04.12 | NEW RELEASE |             |       | ①   | Insulator   | 1   | PA66 (UL94V-0) | White         |
| REV.          | DATE        | DESCRIPTION | APPD. | NO. | DESCRIPTION | QTY | MATERIAL       | PLATING/COLOR |
| 1             |             |             |       | 2   |             |     |                |               |