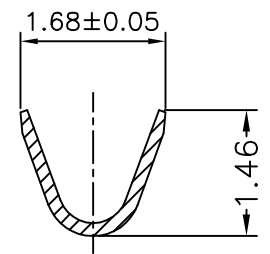
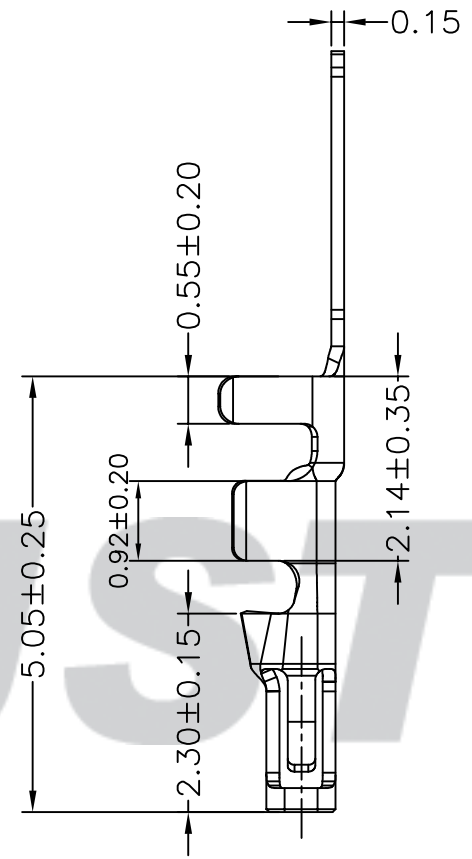
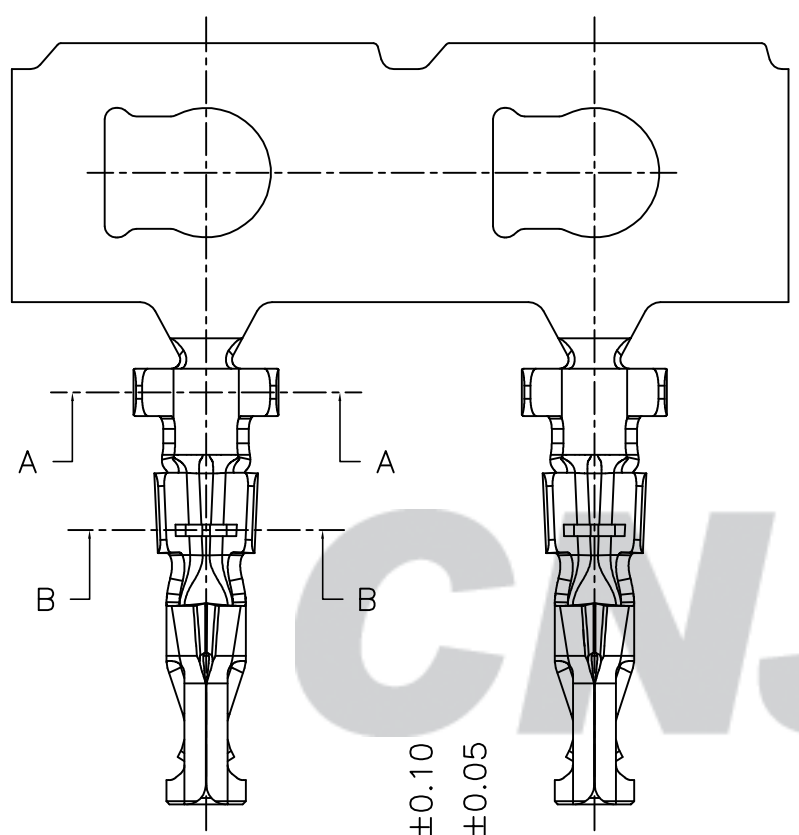
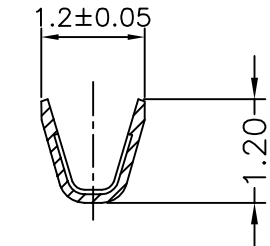


RoHS Compliant

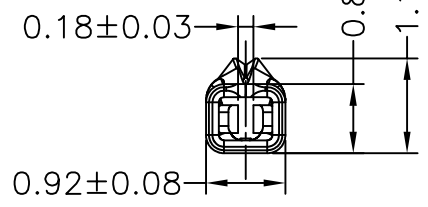
端子图

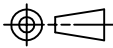


SEC:A-A



SEC:B-B



Tolerance X.X ±0.30 X.XX ±0.20 X.XXX ±0.10 Angle ±3.0°	Model Name: 1.25mm PITCH CRIMP TERMINAL		Drawn: 张育斌 2016.06.13
	Model No: A1259T-P*-Z		
UNIT: mm		SCALE: FULL	REVISION: B/1
		CNJST 浙江捷仕泰电子有限公司 ZHEJIANG JIESHITAI ELECTRONIC CO., LTD	
Part No: A1259T-PC-Z Wire Range: AWG #28~#32 Insulation O.D.: 0.90mm(max) QTY/Reel: 10,000Pcs Material: Phosphor Bronze Plating: Gold-plated			Checked: 林旭芝
Part No: A1259T-PA-Z Wire Range: AWG #28~#32 Insulation O.D.: 0.90mm(max) QTY/Reel: 10,000Pcs Material: Phosphor Bronze Plating: Tin-plated			Approved: 刘祚杰
			DWG NO. CNJST/GCDZ-0068

REV.	DATE	DESCRIPTION	APPD.	Part No	Wire Range	Insulation O.D.	QTY/Reel	Material	Plating
1	2016.06.13	NEW RELEASE		A1259T-PC-Z	AWG #28~#32	0.90mm(max)	10,000Pcs	Phosphor Bronze	Gold-plated
2				A1259T-PA-Z	AWG #28~#32	0.90mm(max)	10,000Pcs	Phosphor Bronze	Tin-plated