

RoHS Compliant

成品图

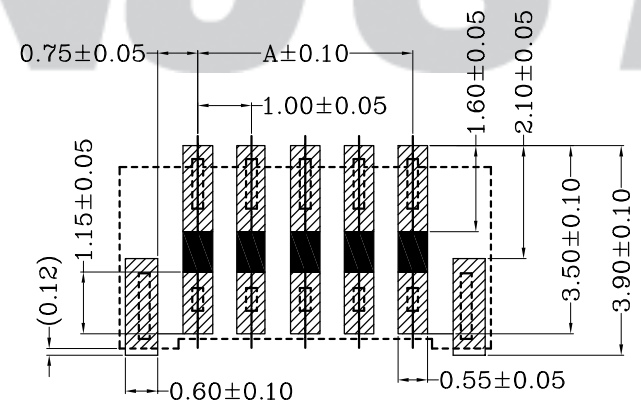
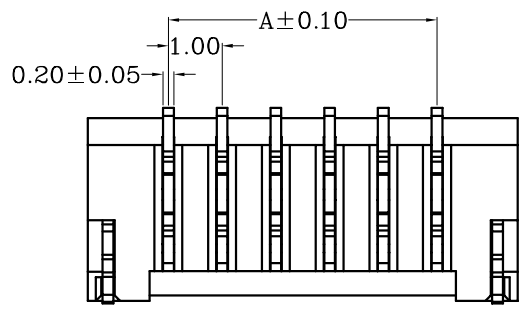
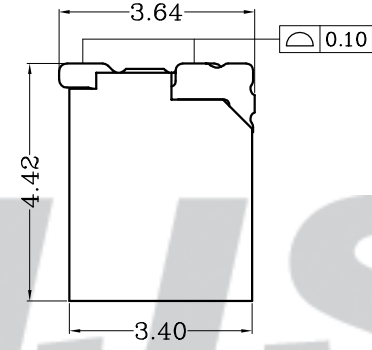
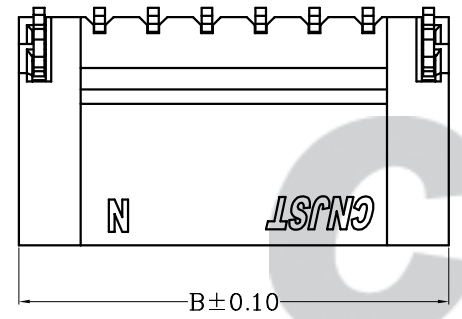
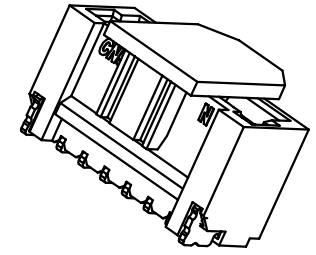
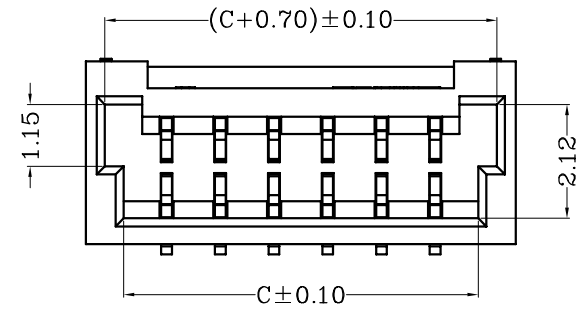
SPECIFICATION

- 1 Contact resistance:  $\leq 20m\Omega$
- 2 Insulation resistance:  $\geq 100M\Omega$
- 3 Rated voltage: 125 V AC DC
- 4 Rated current: 1.0 A AC DC
- 5 Withstand Voltage: 500V AC/minute
- 6 Temperature Range:  $-25^{\circ}C \sim +85^{\circ}C$

ORDER INFORMATION:

**A1017AWV-\*\*-F2MB-R-X**

PART No.:	X=Cap
No. OF CIRCUITS:	PACKAGING:
02~20	R=REEL
PLASTIC MATERIAL:	PLATING:
F2M=LCP (Nature)	B=Matte Sn



Circuits	Dimensions		
	A	B	C
02	1.00	3.90	2.50
03	2.00	4.90	3.50
04	3.00	5.90	4.50
05	4.00	6.90	5.50
06	5.00	7.90	6.50
07	6.00	8.90	7.50
08	7.00	9.90	8.50
09	8.00	10.90	9.50
10	9.00	11.90	10.50
11	10.00	12.90	11.50
12	11.00	13.90	12.50
13	12.00	14.90	13.50
14	13.00	15.90	14.50
15	14.00	16.90	15.50
16	15.00	17.90	16.50
17	16.00	18.90	17.50
18	17.00	19.90	18.50
19	18.00	20.90	19.50
20	19.00	21.90	20.50

PCB LAYOUT

Unit: mm

NO.	DESCRIPTION	QTY	MATERIAL	PLATING/COLOR
④	Cap	1	LCP (UL94V-0)	Nature
③	Solder Tab	2	Phosphor Bronze	Mattn Sn
②	Material	02~20	Phosphor Bronze	Mattn Sn
①	Insulator	1	LCP (UL94V-0)	Nature

Tolerance  
 X.X ±0.30  
 X.XX ±0.20  
 X.XXX ±0.10  
 Angle ±3.0°  
 UNIT: mm

Model Name: 1.00mm Pitch 90° Single Row Wafer With Lock-SMT TYPE  
 Model No: A1017AWV-\*\*-F2MB-R-X  
  
 SCALE: FULL REVISION: B/0  
**CNJST** 浙江捷仕泰电子有限公司  
 ZHEJIANG JIESHITAI ELECTRONIC CO., LTD

Drawn: 张育斌 2016.05.03  
 Checked: 林旭芝  
 Approved: 刘祚杰  
 DWG NO. CNJST/GCCP-0407

REV.	DATE	DESCRIPTION	APPD.
B/0	2016.04.12	NEW RELEASE	