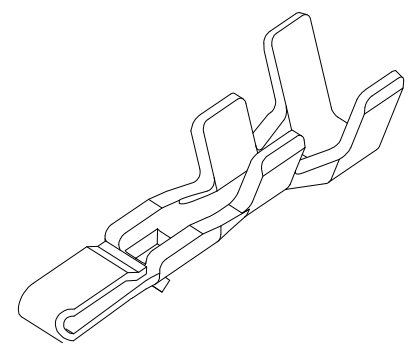
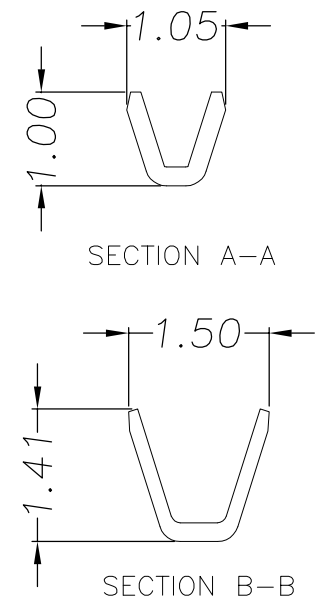
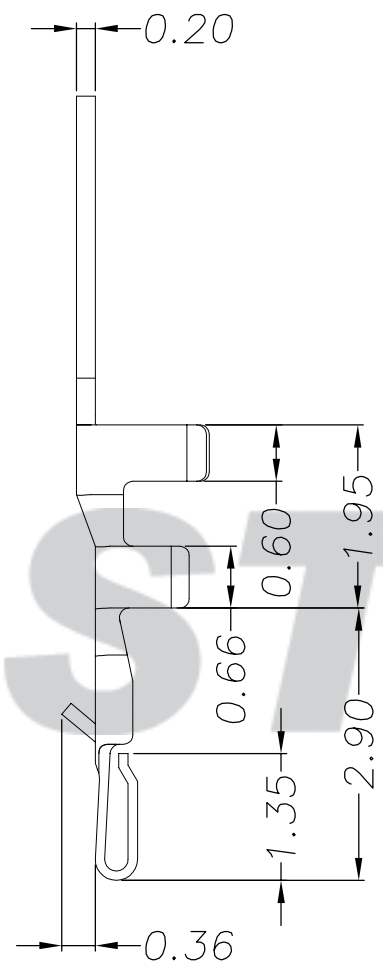
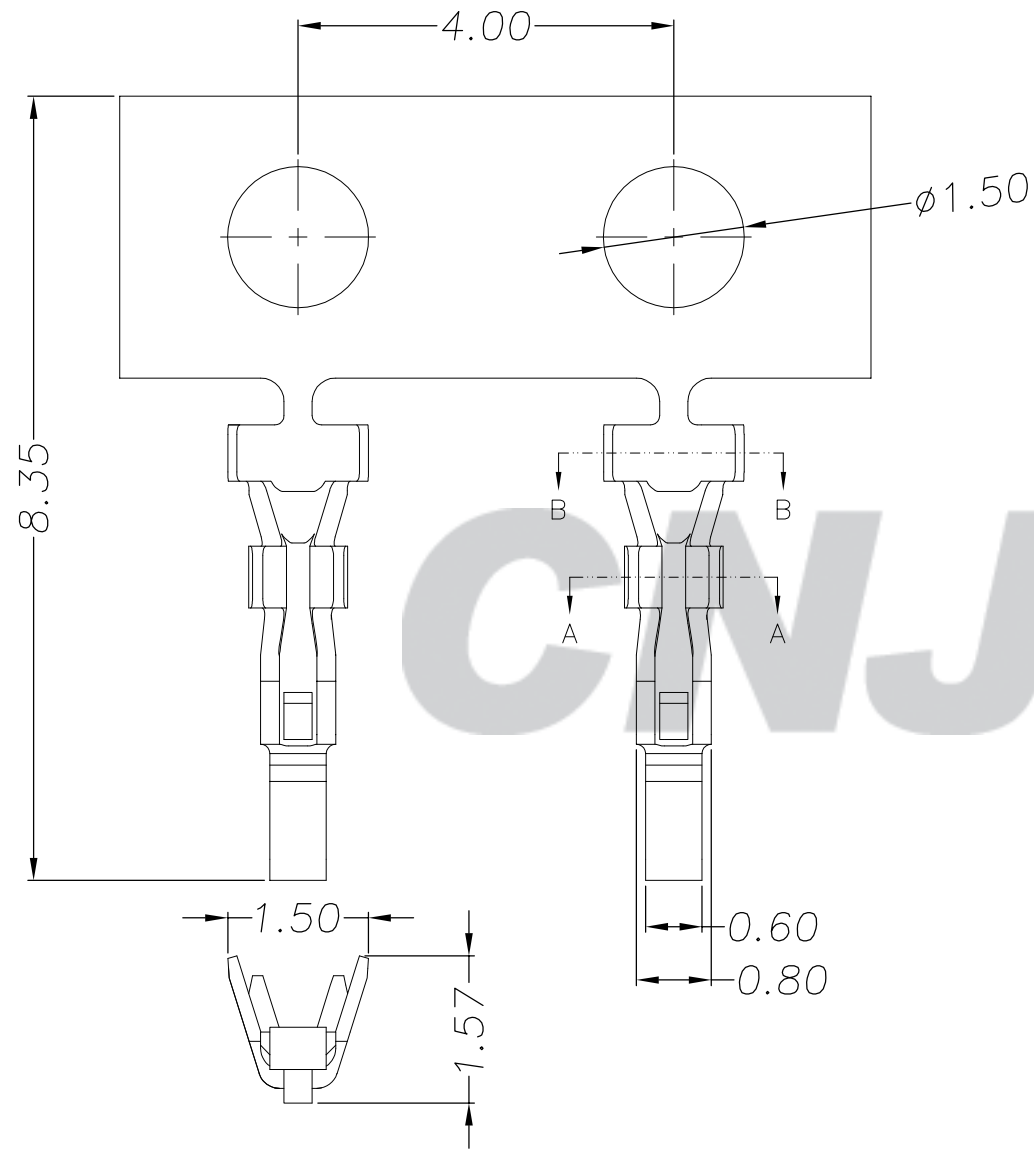
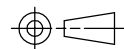


RoHS Compliant

端子图



Tolerance X.X ±0.30 X.XX ±0.20 X.XXX ±0.10 Angle ±3.0°	Model Name: 1.00mm PITCH CRIMP TERMINAL		Drawn: 张育斌 2016.06.13
	Model No: A1017T-PA-Z		
UNIT: mm		SCALE: FULL	REVISION: B/1
		CNJST 浙江捷仕泰电子有限公司 ZHEJIANG JIESHITAI ELECTRONIC CO., LTD	
AWG #26~#30	15,000Pcs	Phosphor Bronze	Tin-plated
Wire Range	Insulation O.D.	QTY/Reel	Material
Plating			
DWG NO. CNJST/GCDZ-0077			Approved: 刘祚杰

REV.	DATE	DESCRIPTION	APPD.	AWG #26~#30	15,000Pcs	Phosphor Bronze	Tin-plated
1	2013.01.01	NEW RELEASE		Wire Range	Insulation O.D.	QTY/Reel	Material