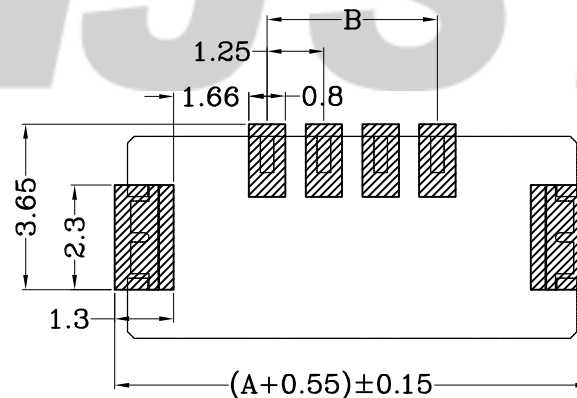
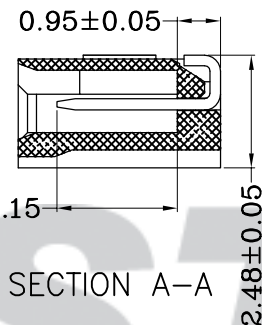
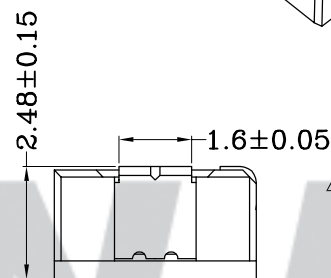
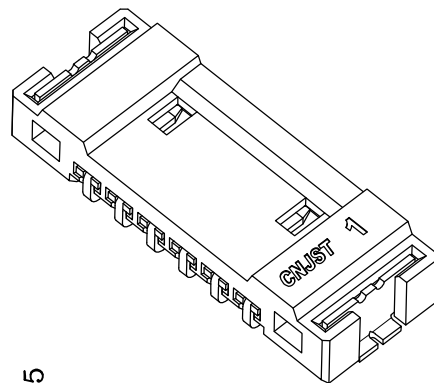
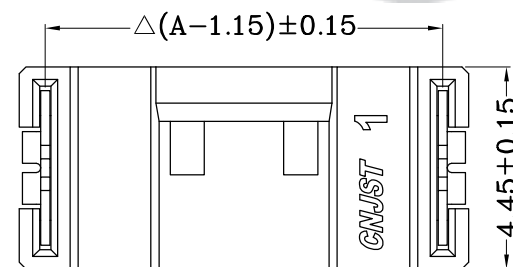
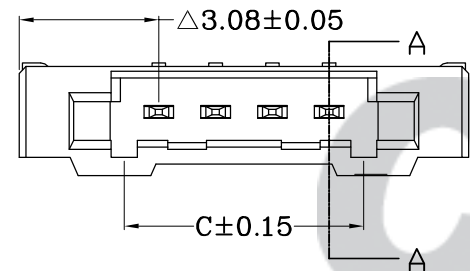
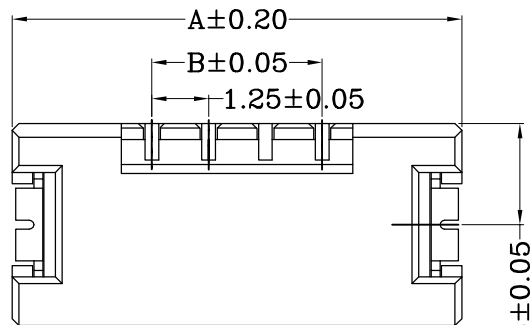


RoHS Compliant

成品图



SPECIFICATION

- 1 Contact resistance:  $\leq 30m\Omega$
- 2 Insulation resistance:  $\geq 500M\Omega$
- 3 Rated voltage: 50 V AC DC
- 4 Rated current: 0.3 A AC DC
- 5 Withstand Voltage: 500V AC/minute
- 6 Temperature Range:  $-25^{\circ}C \sim +85^{\circ}C$

ORDER INFORMATION:

A12513AWR-\*\*-F2MB-R

PART No. \_\_\_\_\_ PACKAGING: R=REEL  
 No. OF CIRCUITS: \_\_\_\_\_ PLATING: B=Matte Sn  
 02~16  
 PLASTIC MATERIAL: \_\_\_\_\_  
 F2M=LCP (Locker:LCP)

Circuits	Dimensions (mm)		
	A	B	C
02	7.40	1.25	2.78
03	8.65	2.50	4.03
04	9.90	3.75	5.28
05	11.15	5.00	6.53
06	12.40	6.25	7.78
07	13.65	7.50	9.03
08	14.90	8.75	10.28
09	16.15	10.00	11.53
10	17.40	11.25	12.78
11	18.65	12.50	14.03
12	19.90	13.75	15.28
13	21.15	15.00	16.53
14	22.40	16.25	17.78
15	23.65	17.50	19.03
16	24.90	18.75	20.28

专利产品

B/02016.04.12	NEW RELEASE		
REV.	DATE	DESCRIPTION	APPD.
1	2	3	4

③	Solder Tabs	2	Brass	Mattn Sn
②	Material	02~16	Phosphor Bronze	Mattn Sn
①	Insulator	1	LCP (UL94V-0)	Nature (Beige)
NO.	DESCRIPTION	QTY	MATERIAL	PLATING/COLOR
5				

Tolerance  
 X.X ±0.30  
 X.XX ±0.20  
 X.XXX ±0.10  
 Angle ±3.0°

Model Name: 1.25mm pitch 180° WAFER-SMT TYPE  
 Model No: A12513AWR-\*\*-F2MB-R



UNIT: mm  
**CNJST** 浙江捷仕泰电子有限公司  
 ZHEJIANG JIESHITAI ELECTRONIC CO., LTD

Drawn: 张育斌 2016.05.03  
 Checked: 林旭芝  
 Approved: 刘祚杰  
 DWG NO. CNJST/GCCP-0405