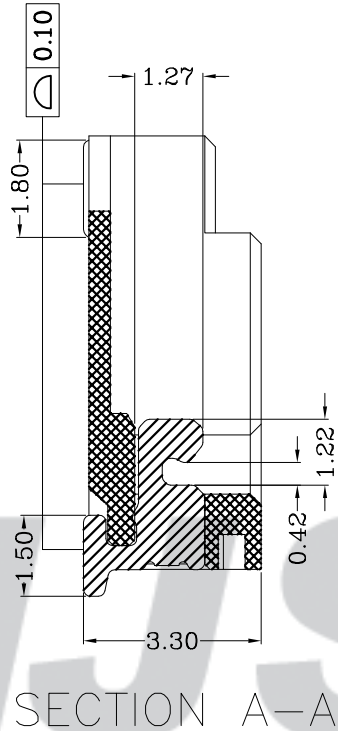
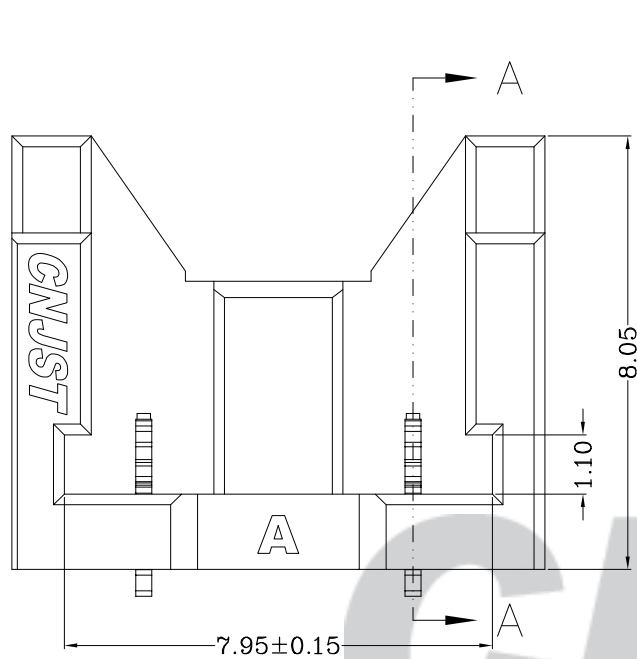


RoHS Compliant

成品图

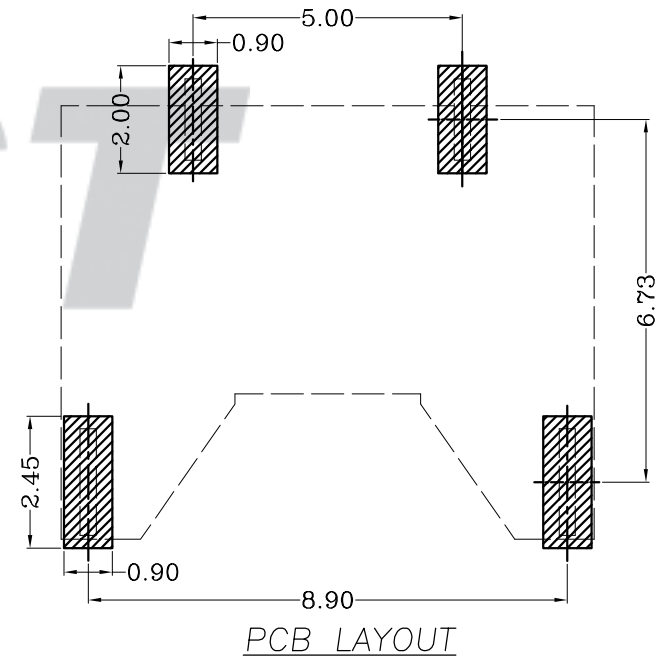
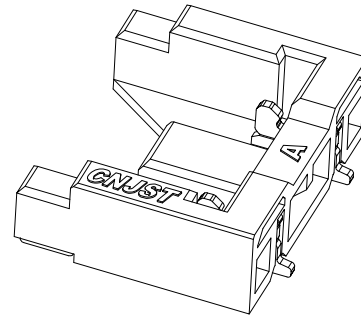
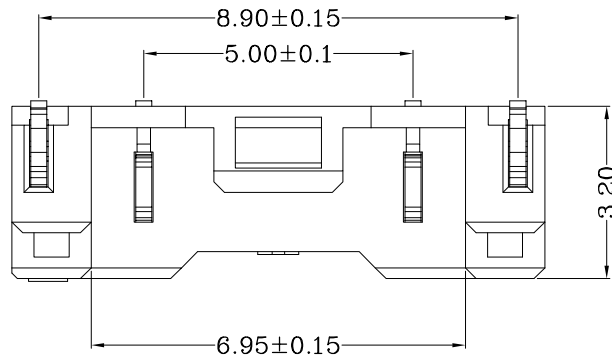


SPECIFICATION

- 1 Contact resistance:  $\leq 30m\Omega$
- 2 Insulation resistance:  $\geq 1000M\Omega$
- 3 Rated voltage: 400 V AC DC
- 4 Rated current: 0.75 A AC DC
- 5 Withstand Voltage: 1800V AC/minute
- 6 Temperature Range:  $-25^{\circ}C \sim +85^{\circ}C$

ORDER INFORMATION:

<b>A5002AWR-02-F2MB-R</b>	
PART No.:	PACKAGING:
No. OF CIRCUITS:	G=TUBE
02	R=REEL
PLASTIC MATERIAL:	PLATING:
F2M=LCP	B=Mattn Sn



REV.	DATE	DESCRIPTION	APPD.
B/0	2016.04.12	NEW RELEASE	

③	Solder Tabs	2	Brass	Mattn Sn
②	Material	2	Phosphor Bronze	Mattn Sn
①	Insulator	1	LCP(UL94V-0)	Nature(Beige)
NO.	DESCRIPTION	QTY	MATERIAL	PLATING/COLOR

Tolerance	Model Name: 5.00mm pitch 90° WAFER-SMT TYPE
X.X ±0.30	Model No: A5002AWR-02-F2MB-R
X.XX ±0.20	
X.XXX ±0.10	
Angle ±3.0°	
UNIT: mm	
	<b>CNJST</b> 浙江捷仕泰电子有限公司 ZHEJIANG JIESHITAI ELECTRONIC CO., LTD

Drawn: 张育斌 2016.04.13
Checked: 林旭芝
Approved: 刘祚杰
DWG NO. CNJST/GCCP-0447

B/0 2016.04.12 NEW RELEASE

SCALE: FULL REVISION: B/0

CNJST 浙江捷仕泰电子有限公司 ZHEJIANG JIESHITAI ELECTRONIC CO., LTD

Approved: 刘祚杰 DWG NO. CNJST/GCCP-0447