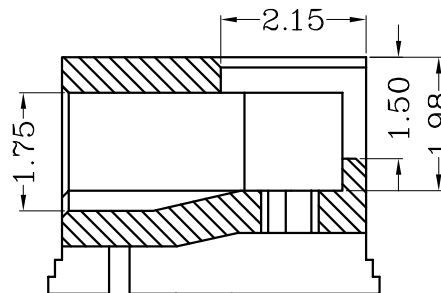
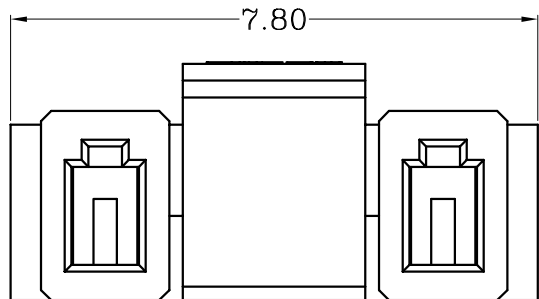


RoHS Compliant

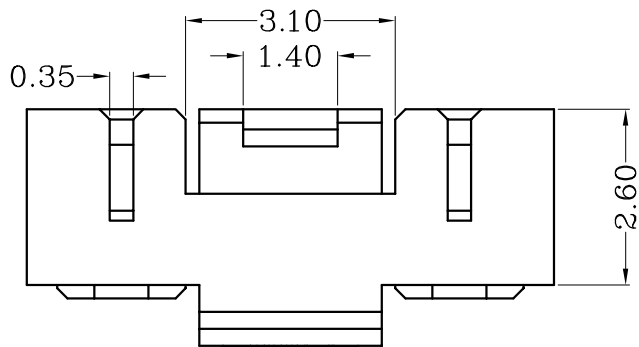
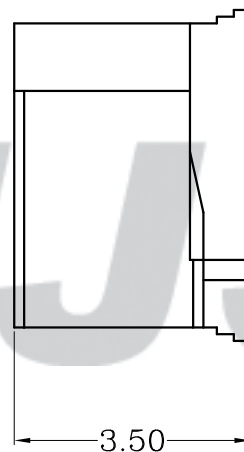
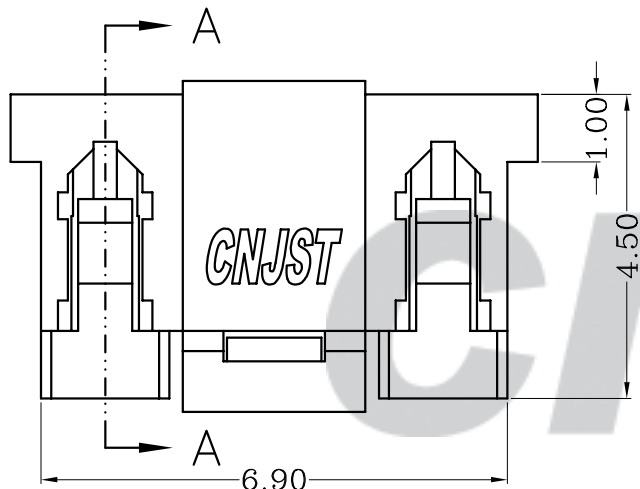
成品图



SECTION A-A

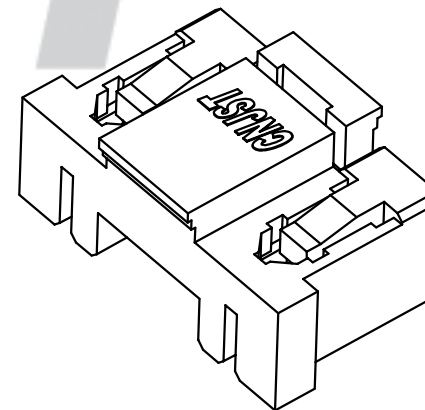
SPECIFICATION

- 1 Contact resistance: $\leq 30m\Omega$
- 2 Insulation resistance: $\geq 1000M\Omega$
- 3 Rated voltage: 400 V AC DC
- 4 Rated current: 0.75 A AC DC
- 5 Withstand Voltage: 1800V AC/minute
- 6 Temperature Range: $-25^{\circ}C \sim +85^{\circ}C$



ORDER INFORMATION:

A5002Y-02-A6W-P	
PART No.:	PACKAGING:
No. OF CIRCUITS:	P=PE
02	R=REEL
PLASTIC MATERIAL:	
A6W=PA66 (WHITE)	



Tolerance X.X ±0.30 X.XX ±0.20 X.XXX ±0.10 Angle ±3.0°	Model Name: 5.00mm pitch Housing	SCALE: FULL REVISION: B/0	Drawn: 张育斌 2016.05.17
	Model No: A5002Y-02-A6W-P		Checked: 林旭芝
UNIT: mm	CNJST 浙江捷仕泰电子有限公司 ZHEJIANG JIESHITAI ELECTRONIC CO., LTD		Approved: 刘祚杰
			DWG NO. CNJST/GCCP-0450

B/0	2016.04.12	NEW RELEASE		①	Insulator	1	PA66 (UL94V-0)	White
REV.	DATE	DESCRIPTION	APPD.	NO.	DESCRIPTION	QTY	MATERIAL	PLATING/COLOR
1				3				