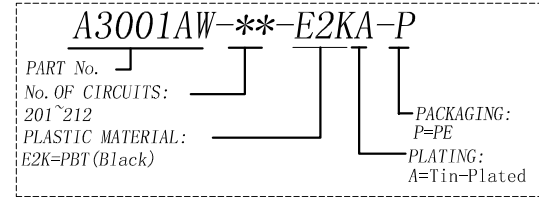


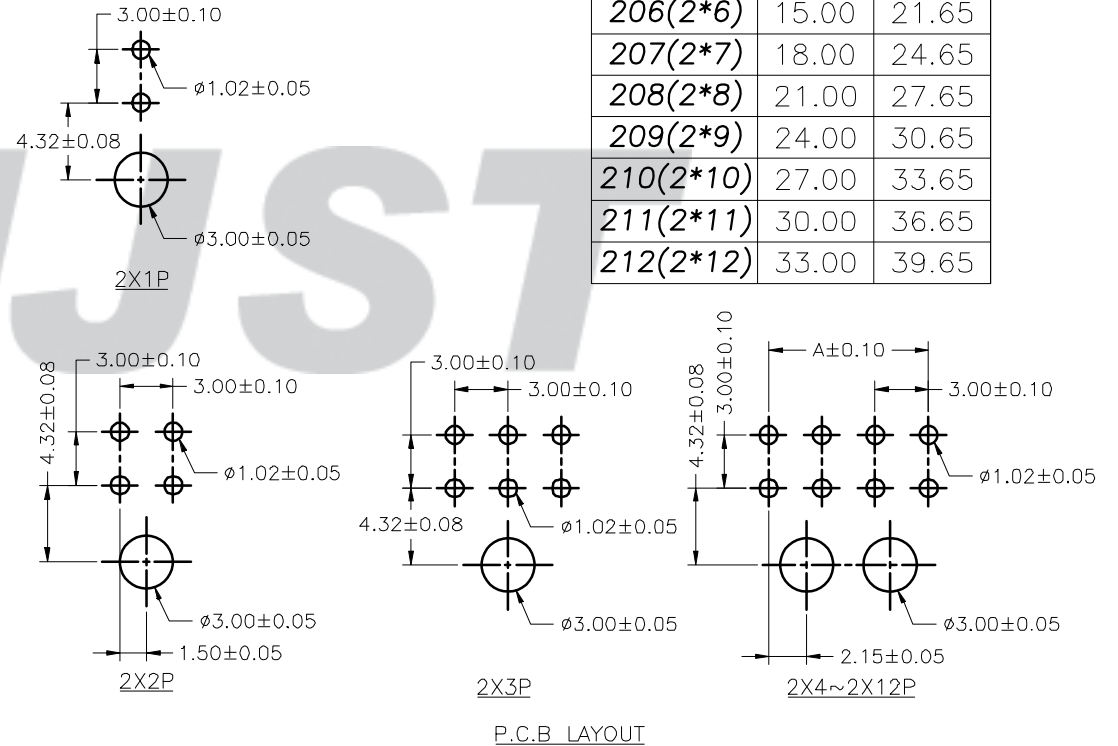
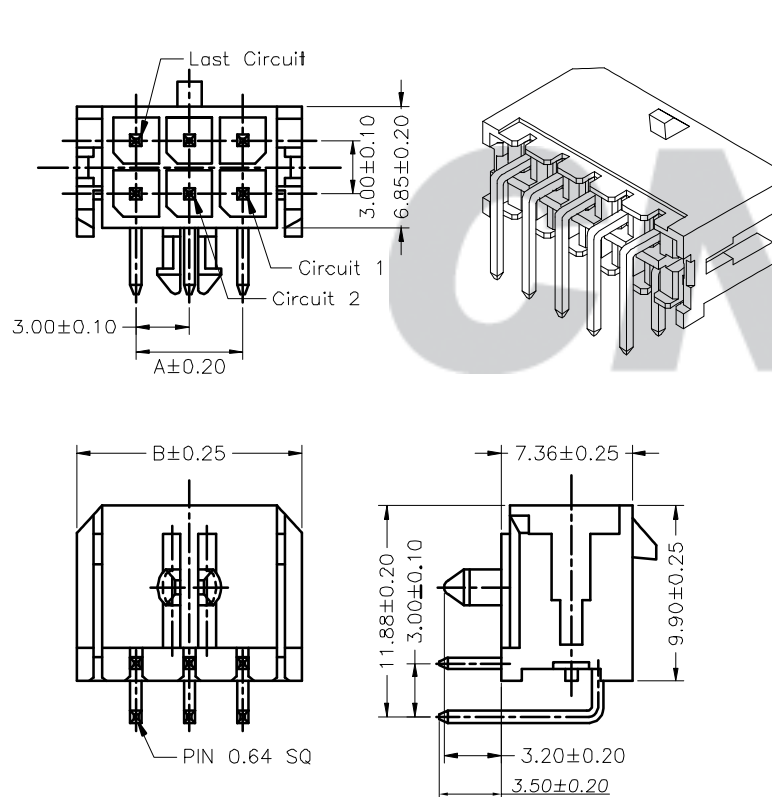
SPECIFICATION

- 1 Contact resistance:  $\leq 10m\Omega$
- 2 Insulation resistance:  $\geq 1000M\Omega$
- 3 Rated voltage: 250 V AC DC
- 4 Rated current: 5.0 A AC DC
- 5 Withstand Voltage: 1500V AC/minute
- 6 Temperature Range:  $-25^{\circ}C \sim +85^{\circ}C$

ORDER INFORMATION:



Circuits	Dimensions	
	A	B
201(2*1)	---	6.65
202(2*2)	3.00	9.65
203(2*3)	6.00	12.65
204(2*4)	9.00	15.65
205(2*5)	12.00	18.65
206(2*6)	15.00	21.65
207(2*7)	18.00	24.65
208(2*8)	21.00	27.65
209(2*9)	24.00	30.65
210(2*10)	27.00	33.65
211(2*11)	30.00	36.65
212(2*12)	33.00	39.65



Tolerance X.X ±0.30 X.XX ±0.20 X.XXX ±0.10 Angle ±3.0°	Model Name: 3.00mm pitch 90° WAFER-DIP TYPE	Drawn: 张育斌 2016.05.27
	Model No: A3001AW-**-E2KA-P	
UNIT: mm	SCALE: FULL REVISION: B/0	Checked: 林旭芝
	<b>CNJST</b> 浙江捷仕泰电子有限公司 ZHEJIANG JIESHITAI ELECTRONIC CO., LTD	
		Approved: 刘祚杰
		DWG NO. CNJST/GCCP-0320

B/0	2016.04.12	NEW RELEASE		
REV.	DATE	DESCRIPTION	APPD.	
②		Contacts	02~24 Barss Tin-Plated	
①		Insulator	1 PBT (UL94V-0) Black	
NO.	DESCRIPTION	QTY	MATERIAL	PLATING/COLOR