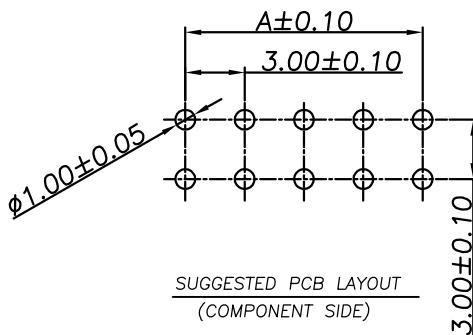
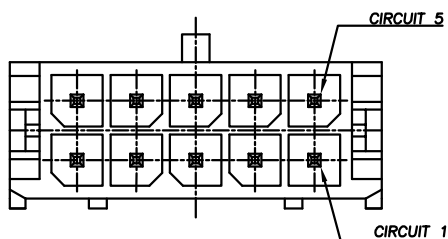


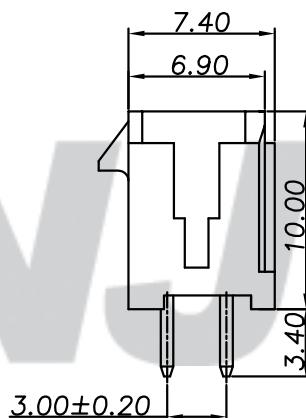
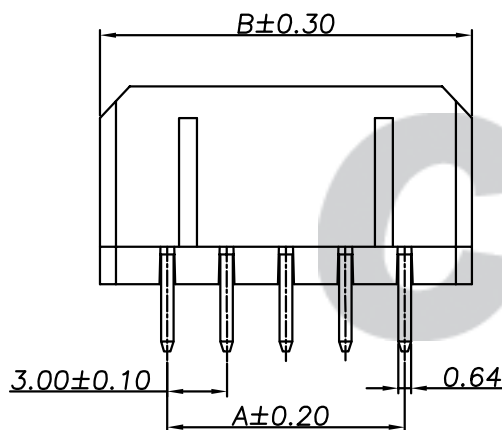
RoHS Compliant

成品图



SPECIFICATION

- 1 Contact resistance: $\leq 10m\Omega$
- 2 Insulation resistance: $\geq 1000M\Omega$
- 3 Rated voltage: 250 V AC DC
- 4 Rated current: 5.0 A AC DC
- 5 Withstand Voltage: 1000V AC/minute
- 6 Temperature Range: $-25^{\circ}C \sim +85^{\circ}C$



Circuits	Dimensions	
	A	B
201(2*1)	---	6.65
202(2*2)	3.00	9.65
203(2*3)	6.00	12.65
204(2*4)	9.00	15.65
205(2*5)	12.00	18.65
206(2*6)	15.00	21.65
207(2*7)	18.00	24.65
208(2*8)	21.00	27.65
209(2*9)	24.00	30.65
210(2*10)	27.00	33.65
211(2*11)	30.00	36.65
212(2*12)	33.00	39.65

ORDER INFORMATION:

A3001A--E2KA-P**

PART No. | No. OF CIRCUITS: 201~212 | PLASTIC MATERIAL: E2K=PBT (Black) | PACKAGING: P=PE | PLATING: A=Tin-Plated

Tolerance X.X ±0.30 X.XX ±0.20 X.XXX ±0.10 Angle ±3.0°	Model Name: 3.00mm pitch 180° WAFER-DIP TYPE Model No: A3001A-**-E2KA-P	Drawn: 张育斌 2016.05.23
UNIT: mm	SCALE: FULL REVISION: B/0	Checked: 林旭芝
CNJST 浙江捷仕泰电子有限公司 ZHEJIANG JIESHITAI ELECTRONIC CO., LTD		Approved: 刘祚杰
		DWG NO. CNJST/GCCP-0323

REV.	DATE	DESCRIPTION	APPD.	NO.	DESCRIPTION	QTY	MATERIAL	PLATING/COLOR
				②	Contacts	02~24	Brass	Tin-Plated
				①	Insulator	1	PBT (UL94V-0)	Black
B/0	2016.04.12	NEW RELEASE						