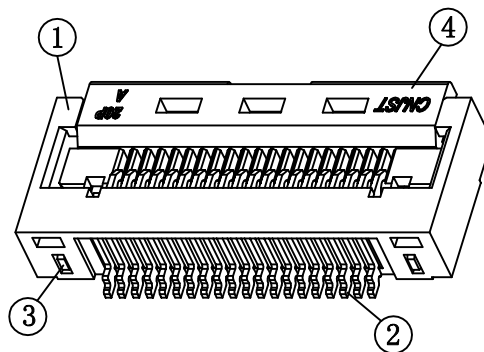
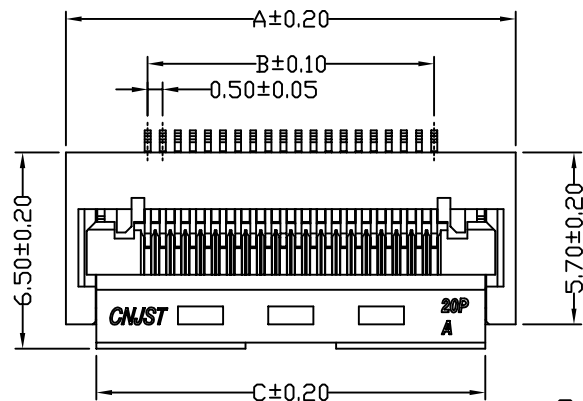


RoHS Compliant

成品图



SPECIFICATION

- 1 Contact resistance: $\leq 50m\Omega$
- 2 Insulation resistance: $\geq 500M\Omega$
- 3 Rated voltage: 50 V AC DC
- 4 Rated current: 0.5 A AC DC
- 5 Withstand Voltage: 150V AC/minute
- 6 Temperature Range: $-25^{\circ}C \sim +85^{\circ}C$

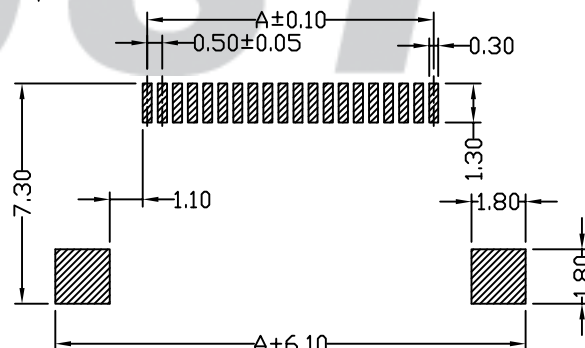
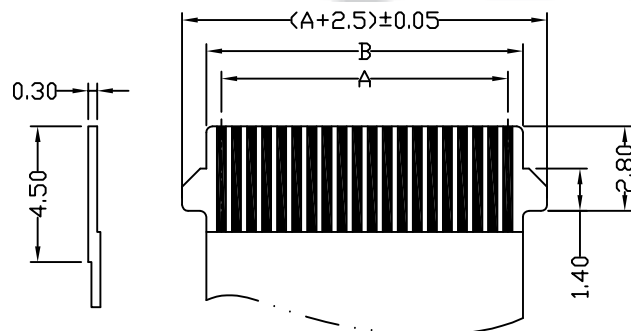
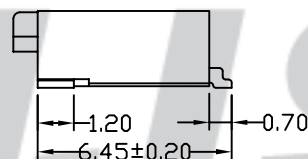
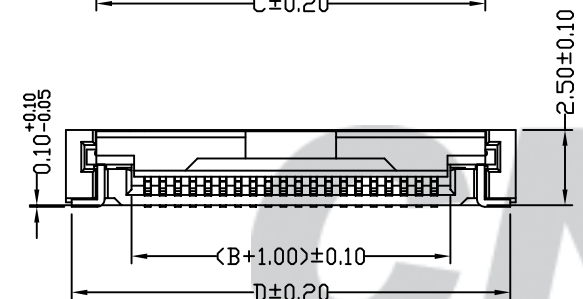
ORDER INFORMATION:

F0513AWR--F2KE-R**

Part No. _____
 No. of Circuits: _____
 4~60

PLASTIC MATERIAL: _____
 F2M=LCP (Locker:LCP)

PACKAGING:
 R=Reel
 PLATING:
 A=Tin
 B=Matte Sn
 C=Gold-plated
 E=Contacts:Gold
 Solder tab: Tin



| Circuits | Dimensions | | | |
|----------|------------|------|-------|-------|
| | A | B | C | D |
| 04 | 6.95 | 1.50 | 4.90 | 6.55 |
| 06 | 7.95 | 2.50 | 5.90 | 7.55 |
| 08 | 8.95 | 3.50 | 6.90 | 8.55 |
| 10 | 9.95 | 4.50 | 7.90 | 9.55 |
| 12 | 10.95 | 5.50 | 8.90 | 10.55 |
| 15 | 12.55 | 7.0 | 10.40 | 12.05 |
| 16 | 12.95 | 7.5 | 10.90 | 12.55 |
| 20 | 14.95 | 9.5 | 12.90 | 14.55 |
| 22 | 15.95 | 10.5 | 13.90 | 15.55 |
| 24 | 16.95 | 11.5 | 14.90 | 16.55 |
| 25 | 17.55 | 12.0 | 15.40 | 17.05 |
| 26 | 18.95 | 12.5 | 15.90 | 17.55 |
| 28 | 19.95 | 13.5 | 16.90 | 18.55 |
| 30 | 20.95 | 14.5 | 17.90 | 19.55 |
| 32 | 21.95 | 15.5 | 18.90 | 20.55 |
| 40 | 25.95 | 19.5 | 22.90 | 24.55 |
| 45 | 28.55 | 22.0 | 25.40 | 27.05 |
| 50 | 30.95 | 24.5 | 27.90 | 29.55 |
| 60 | 35.95 | 29.5 | 32.90 | 34.55 |

Unit: mm

SUGGESTED PCB LAYOUT
(COMPONENT SIDE)

专利产品

| REV. | DATE | DESCRIPTION | APPD. |
|------|------------|-------------|-------|
| B/0 | 2016.04.12 | NEW RELEASE | |

| NO. | DESCRIPTION | QTY | MATERIAL | PLATING/COLOR |
|-----|-------------|-------|-------------------------------|----------------|
| ④ | Loeker | 1 | LCP (UL94V-0) | Nature (Black) |
| ③ | Solder Tab | 2 | Phosphor Bronze $t=0.25mm$ | Mattn Sn |
| ② | Contacts | 04~60 | Phosphor Bronze $t=0.25mm$ | Gold-plated |
| ① | Insulator | 1 | LCP (UL94V-0) | Nature (Black) |

| | |
|-------------|---|
| Tolerance | Model Name: 0.50mm pitch SMT LIF FFC/FPC CONNECTORS |
| X.X ±0.30 | Model No: F0513AWR-**-F2KE-R |
| X.XX ±0.20 | |
| X.XXX ±0.10 | |
| Angle ±3.0° | |

UNIT: mm

SCALE: FULL REVISION: B/0

CNJST 浙江捷仕泰电子有限公司
 ZHEJIANG JIESHITAI ELECTRONIC CO., LTD

Drawn: 张育斌 2016.04.13

Checked: 林旭芝

Approved: 刘祚杰

DWG NO. CNJST/GCCP-0384