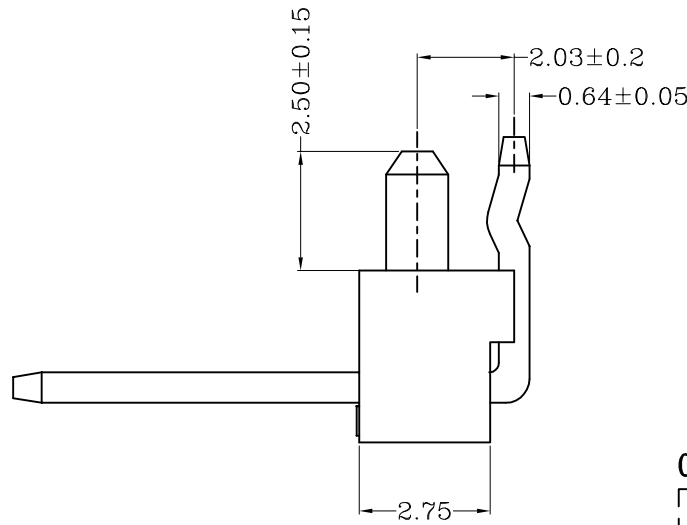
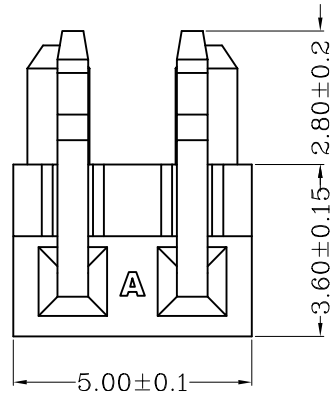


RoHS Compliant

成品图



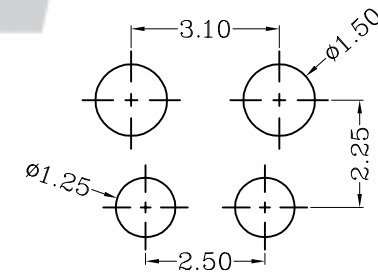
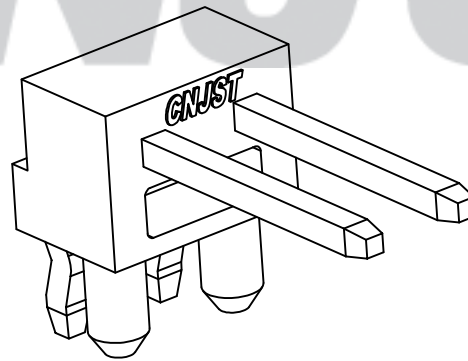
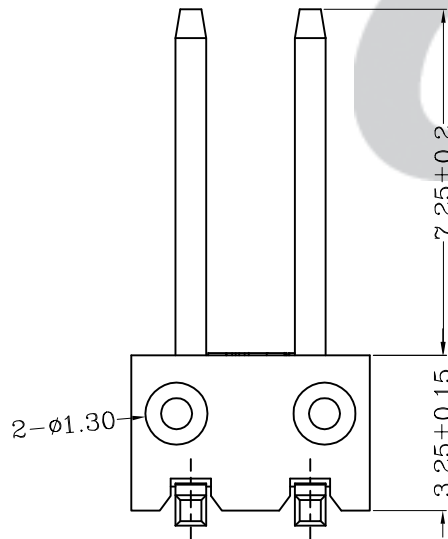
**SPECIFICATION**

- 1 Contact resistance:  $\leq 20m\Omega$
- 2 Insulation resistance:  $\geq 1000M\Omega$
- 3 Rated voltage: 300 V AC DC
- 4 Rated current: 1.0 A AC DC
- 5 Withstand Voltage: 2000V AC/minute
- 6 Temperature Range:  $-25^{\circ}C \sim +105^{\circ}C$

**ORDER INFORMATION:**

**T2501G-02-F2MA-A**

PART No.			
No. OF CIRCUITS:	02	PACKAGING:	A=TRAY
PLASTIC MATERIAL:	F2M=LCP (Nature)	PLATING:	A=Sn



PCB LAYOUT

专利产品

REV.	DATE	DESCRIPTION	APPD.	NO.	DESCRIPTION	QTY	MATERIAL	PLATING/COLOR
B/0	2016.04.16	NEW RELEASE		②	Material	2	Brass	Tin-plated
				①	Insulator	1	LCP(UL94V-0)	Nature

Tolerance X.X ±0.30 X.XX ±0.20 X.XXX ±0.10 Angle ±3.0°	Model Name: 1.00mm Pitch 90° Single Row Wafer With Lock-SMT TYPE		Drawn: 蔡忠忠 2016.04.16
	Model No: T2501G-02-F2MA-A		
UNIT: mm	SCALE: FULL	REVISION: B/0	Checked: 林旭芝
	<b>CNJST</b> 浙江捷仕泰电子有限公司 ZHEJIANG JIESHITAI ELECTRONIC CO., LTD		Approved: 刘祚杰
			DWG NO. CNJST/GCCP-0434