

RoHS Compliant

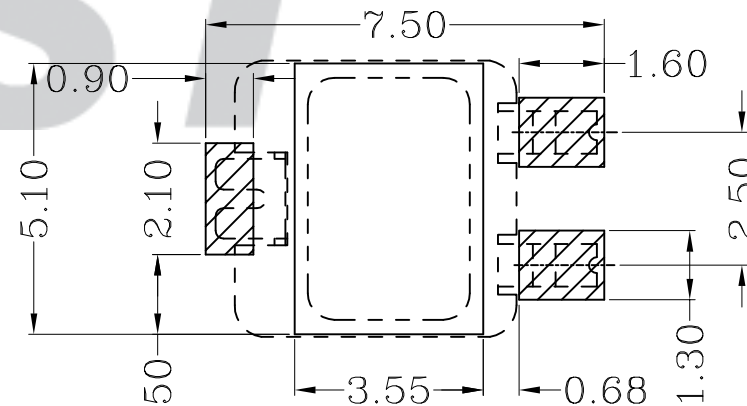
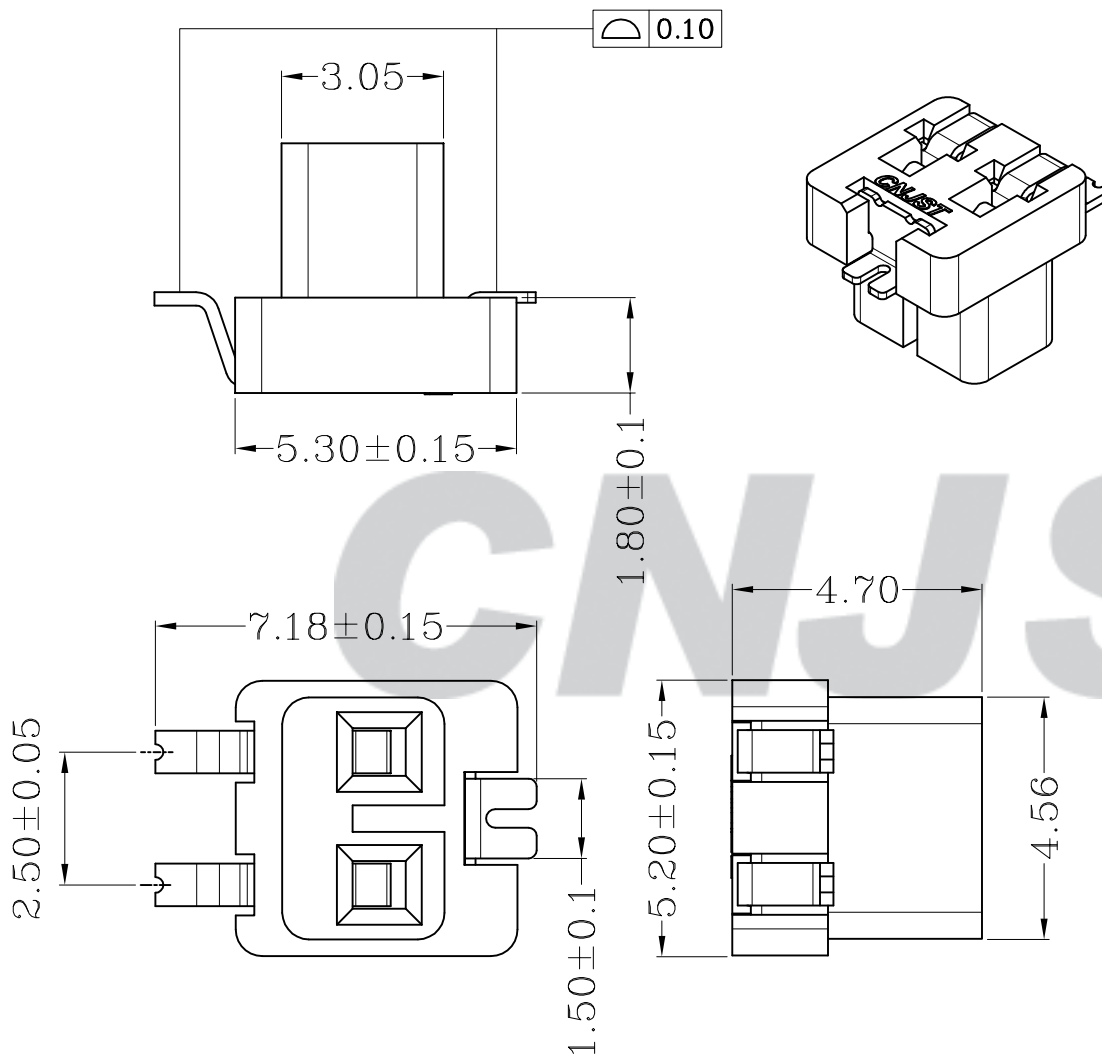
成品图

SPECIFICATION

- 1 Contact resistance: $\leq 20m\Omega$
- 2 Insulation resistance: $\geq 1000M\Omega$
- 3 Rated voltage: 300 V AC DC
- 4 Rated current: 1.0 A AC DC
- 5 Withstand Voltage: 2000V AC/minute
- 6 Temperature Range: $-40^{\circ}C \sim +105^{\circ}C$

ORDER INFORMATION:

T2501M-02-F2MB-R	
PART No.:	
No. OF CIRCUITS:	
PLASTIC MATERIAL:	
F2M=LCP (Nature)	
PACKAGING:	
R=Reel	
PLATING:	
B=Mattn Sn	



专利产品

REV.	DATE	DESCRIPTION	APPD.
B/0	2016.04.16	NEW RELEASE	

NO.	DESCRIPTION	QTY	MATERIAL	PLATING/COLOR
③	Solder Tabs	1	Brass	Mattn Sn
②	Material	2	Phosphor Bronze	Mattn Sn
①	Insulator	1	LCP (UL94V-0)	Nature (Beige)

Tolerance	Model Name: 2.50mm Pitch 180° Wafer-SMT TYPE
X.X ± 0.30	Model No: T2501M-02-F2MB-R
X.XX ± 0.20	
X.XXX ± 0.10	
Angle $\pm 3.0^{\circ}$	
UNIT: mm	

Drawn: 蔡忠忠 2016.04.16
Checked: 林旭芝
Approved: 刘祚杰
DWG NO. CNJST/GCCP-0430

SCALE: FULL REVISION: B/0

CNJST 浙江捷仕泰电子有限公司
ZHEJIANG JIESHITAI ELECTRONIC CO., LTD