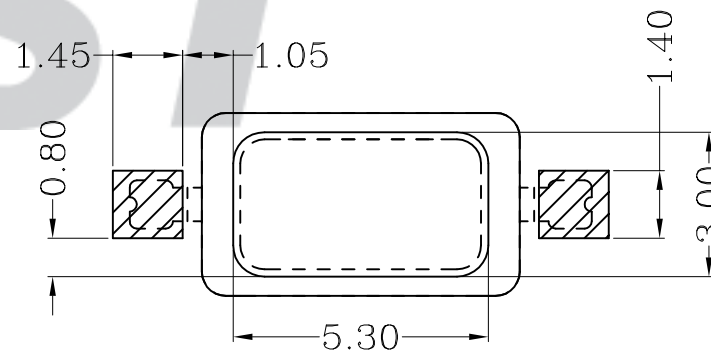
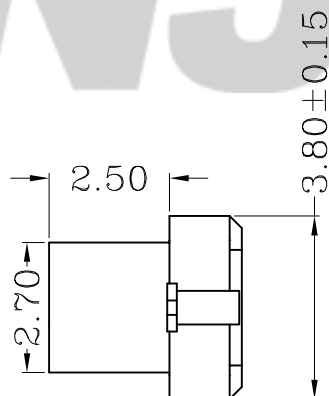
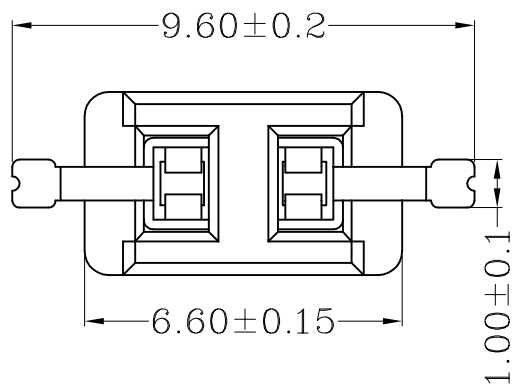
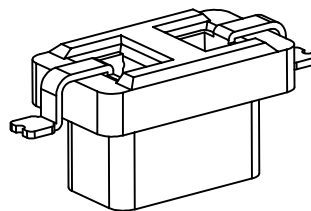
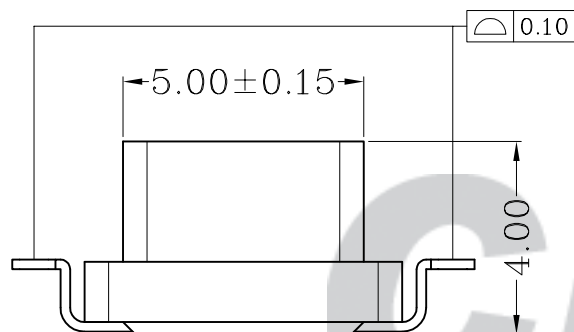
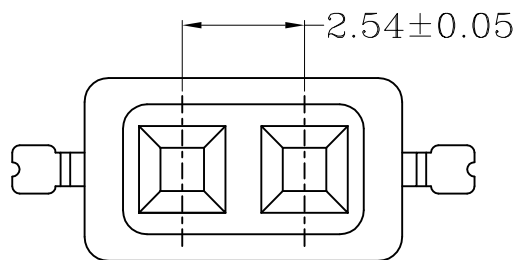


RoHS Compliant

成品图



SPECIFICATION

- 1 Contact resistance:  $\leq 20m\Omega$
- 2 Insulation resistance:  $\geq 1000M\Omega$
- 3 Rated voltage: 300 V AC DC
- 4 Rated current: 1.0 A AC DC
- 5 Withstand Voltage: 2000V AC/minute
- 6 Temperature Range:  $-25^{\circ}C \sim +105^{\circ}C$

ORDER INFORMATION:

**T25401M-02-F2MB-R**

PART No. \_\_\_\_\_  
 No. OF CIRCUITS: \_\_\_\_\_  
 PLASTIC MATERIAL: \_\_\_\_\_  
 F2M=LCP (Nature)

PACKAGING: \_\_\_\_\_  
 R=Reel  
 PLATING: \_\_\_\_\_  
 B=Mattn Sn

RECOMMENDED PCB LAYOUT  
 TOLERANCE (XX±0.05)

专利产品

Tolerance X.X ±0.30 X.XX ±0.20 X.XXX ±0.10 Angle ±3.0°	Model Name: 2.54mm Pitch 180° Wafer-SMT TYPE Model No: T25401M-02-F2MB-R	Drawn: 蔡忠忠 2016.04.18
UNIT: mm	SCALE: FULL REVISION: B/0	Checked: 林旭芝
	<b>CNJST</b> 浙江捷仕泰电子有限公司 ZHEJIANG JIESHITAI ELECTRONIC CO., LTD	Approved: 刘祚杰
		DWG NO. CNJST/GCCP-0432

REV.	DATE	DESCRIPTION	APPD.	NO.	DESCRIPTION	QTY	MATERIAL	PLATING/COLOR
B/0	2016.04.18	NEW RELEASE		②	Material	2	Phosphor Bronze	Mattn Sn
				①	Insulator	1	LCP (UL94V-0)	Nature (Beige)