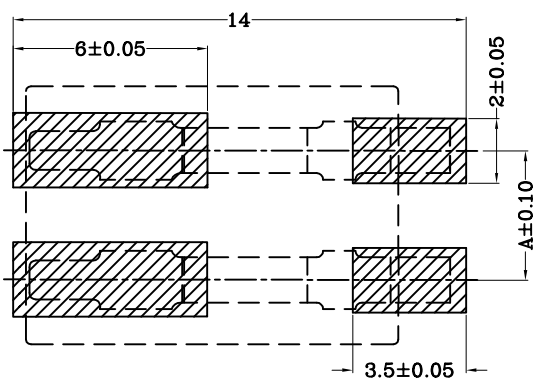
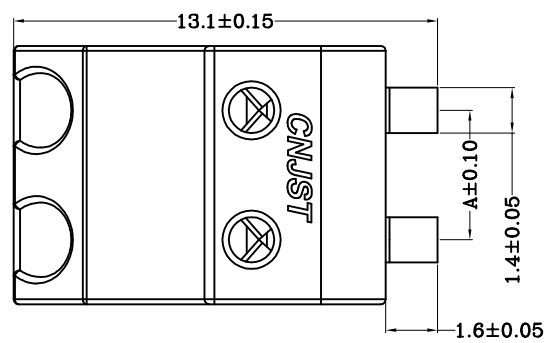
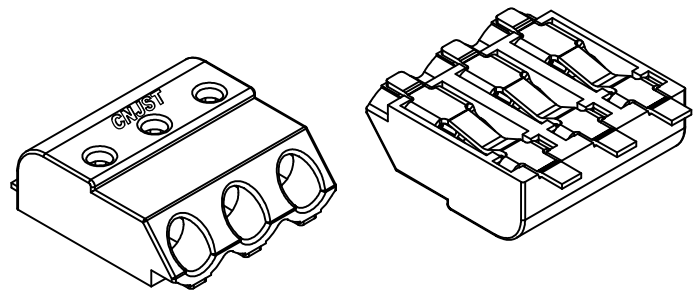
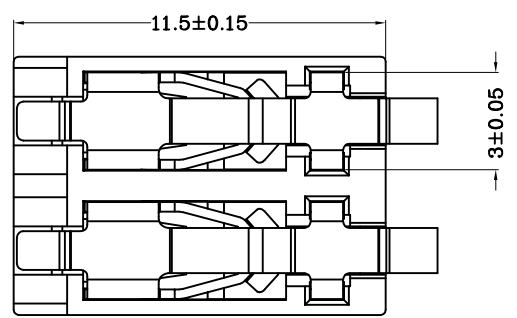
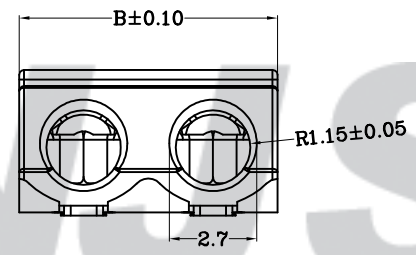
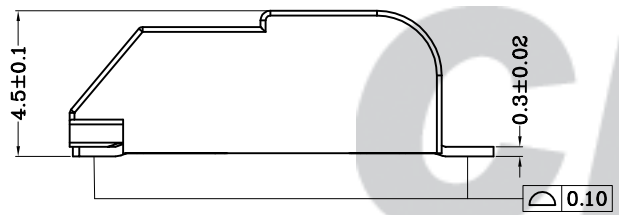


RoHS Compliant

成品图



PCB LAYOUT



SPECIFICATION

- 1 Contact resistance: $\leq 20m\Omega$
- 2 Insulation resistance: $\geq 1000M\Omega$
- 3 Rated voltage: 300 V AC DC
- 4 Rated current: 9.0A AC DC
- 5 Withstand Voltage: 1600V AC/minute
- 6 Temperature Range: $-45^{\circ}C \sim +85^{\circ}C$

ORDER INFORMATION:

T4001M--C1MB-R**

PART No. _____

No. OF CIRCUITS: _____

PLASTIC MATERIAL: _____

C1M=FR52 (Beige)

PACKAGING:
R=Reel
PLATING:
B=Mattn Sn

Circuits	Dimensions (mm)	
	A	B
01	-	3.98
02	4.00	7.98
03	8.00	11.98

Unit: mm

专利产品

REV.	DATE	DESCRIPTION	APPD.	NO.	DESCRIPTION	QTY	MATERIAL	PLATING/COLOR
B/0	2016.04.18	NEW RELEASE		②	Contacts	1~3	Phosphor Bronze	Mattn Sn
				①	Insulator	1	FR52 (UL94V-0)	Beige

Tolerance	Model Name: 4.00mm Pitch Terminal	
X.X ±0.30	Model No: T4001M-**-C1MB-R	
X.XX ±0.20	SCALE: FULL	REVISION: B/0
X.XXX ±0.10	UNIT: mm	
Angle ±3.0°	CNJST 江苏捷仕泰电子科技有限公司 JIANGSU JIESHITAI ELECTRONIC TECHNOLOGY CO., LTD	

Drawn: 蔡忠忠 2016.04.18
Checked: 林旭芝
Approved: 刘祚杰
DWG NO. CNJST/GCCP-0426