

RoHS Compliant

成品图

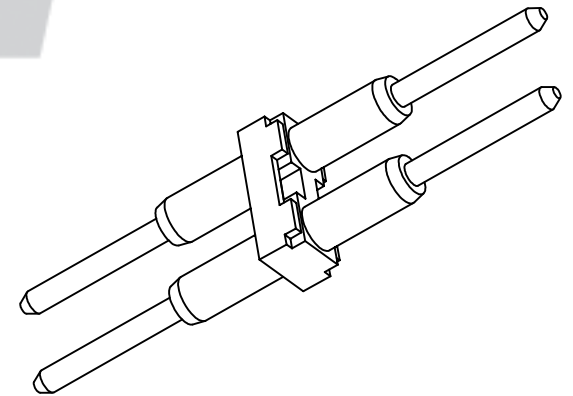
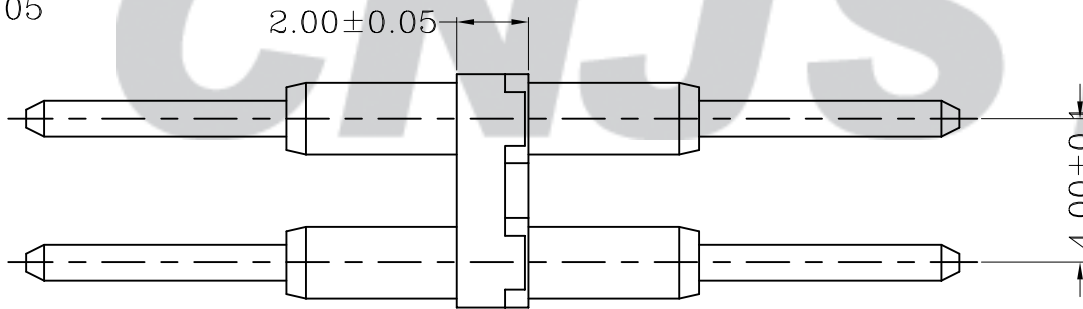
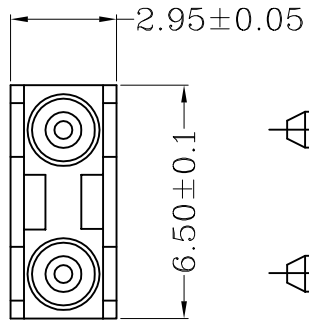
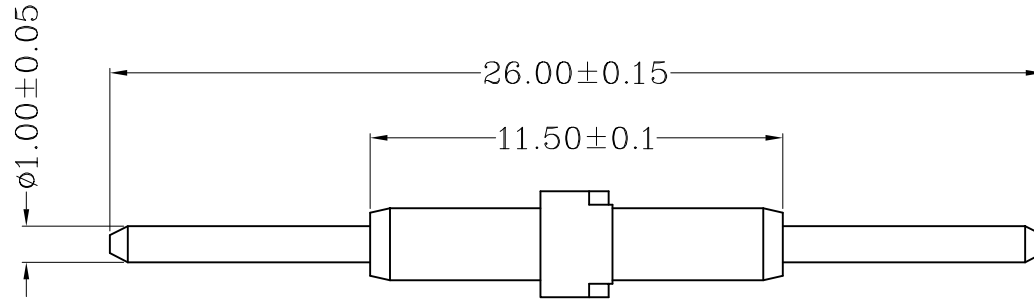
SPECIFICATION

- 1 Contact resistance: $\leq 20m\Omega$
- 2 Insulation resistance: $\geq 1000M\Omega$
- 3 Rated voltage: 300V AC DC
- 4 Rated current: 9.0 A AC DC
- 5 Withstand Voltage: 1600V AC/minute
- 6 Temperature Range: $-25^{\circ}C \sim +105^{\circ}C$

ORDER INFORMATION:

T4001G-02-A1MA-A

PART No. _____	PACKAGING: _____
No. OF CIRCUITS: _____	A=TRAY
PLASTIC MATERIAL: _____	PLATING: _____
A1M=PA66 (Nature)	A=Tin-plated



B/0	2016.04.18	NEW RELEASE	
REV.	DATE	DESCRIPTION	APPD.

NO.	DESCRIPTION	QTY	MATERIAL	PLATING/COLOR
②	Material	2	Brass	Tin-plated
①	Insulator	1	PA66 (UL94V-0)	Nature (Beige)

Tolerance X.X ±0.30 X.XX ±0.20 X.XXX ±0.10 Angle ±3.0°	Model Name: 4.00mm Pitch 180° Wafer Model No: T4001G-02-A1MA-A	SCALE: FULL REVISION: B/0
UNIT: mm	CNJST 江苏捷仕泰电子科技有限公司 JIANGSU JIESHITAI ELECTRONIC TECHNOLOGY CO., LTD	

Drawn: 蔡忠忠 2016.04.18
Checked: 林旭芝
Approved: 刘祚杰
DWG NO. CNJST/GCCP-0475