

RoHS Compliant

成品图

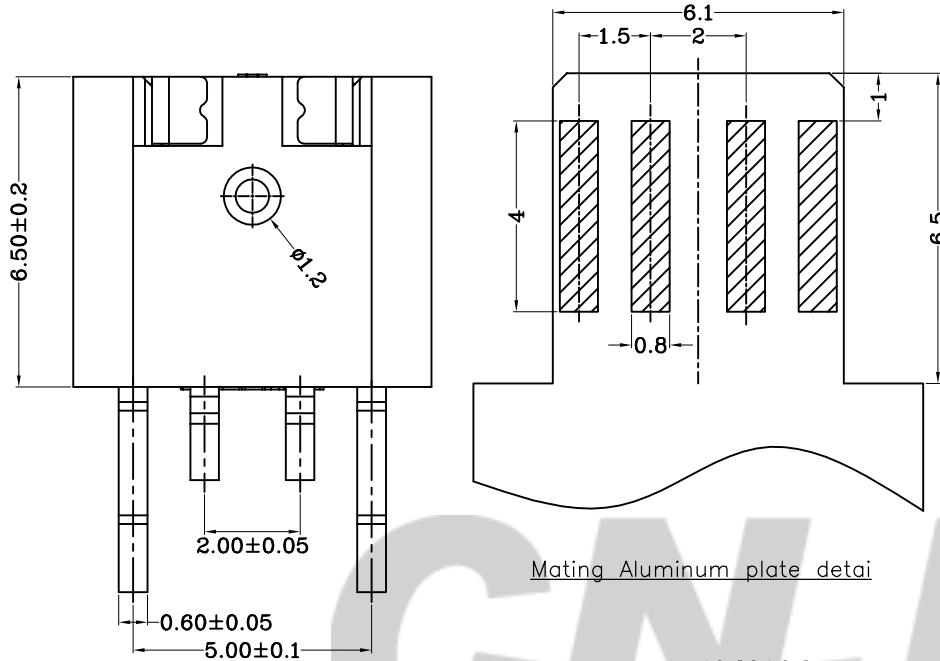
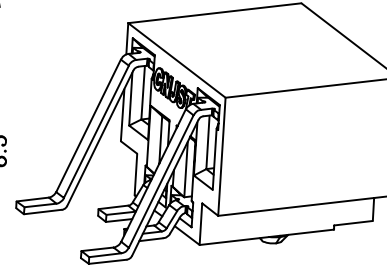
SPECIFICATION

- 1 Contact resistance: $\leq 20m\Omega$
- 2 Insulation resistance: $\geq 1000M\Omega$
- 3 Rated voltage: 150 V AC DC
- 4 Rated current: 1.0A AC DC
- 5 Withstand Voltage: 1000V AC/minute
- 6 Temperature Range: $-25^{\circ}C \sim +85^{\circ}C$

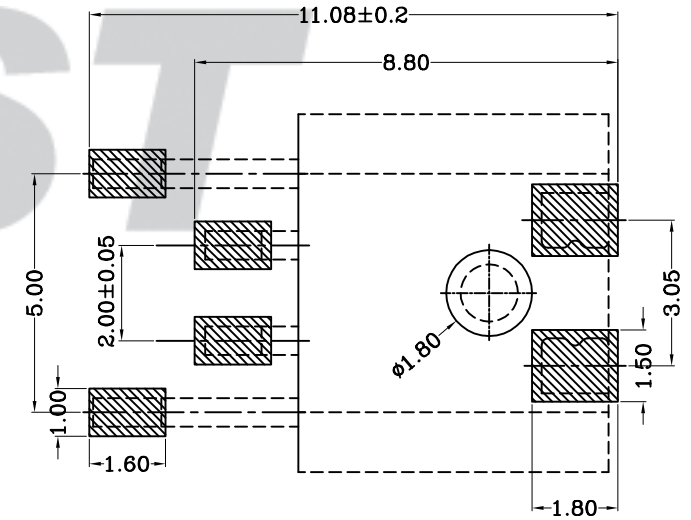
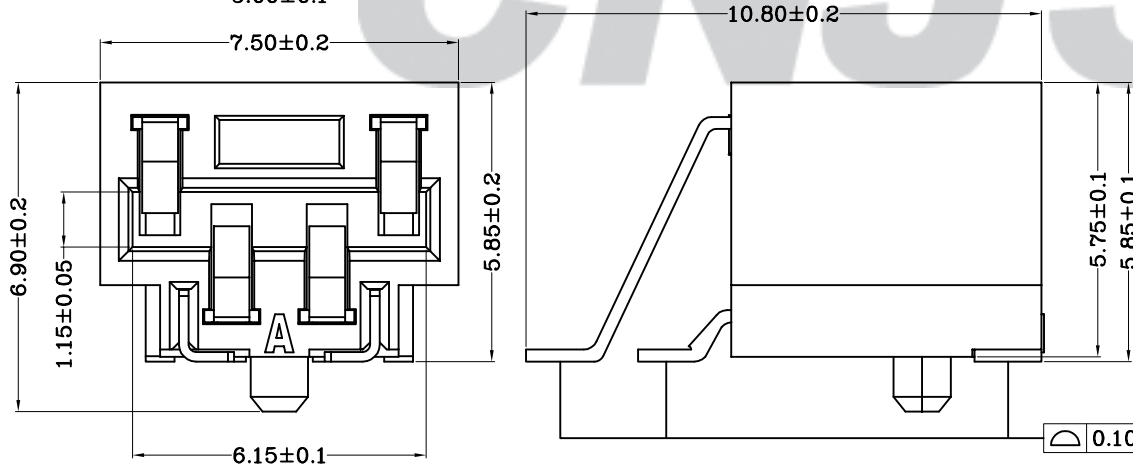
ORDER INFORMATION:

TD201501MGB-04-F2MB-R

PART No.:		PACKAGING:	R=REEL
No. OF CIRCUITS:	04	PLATING:	B=Mattn Sn
PLASTIC MATERIAL:	F2M=LCP		



Mating Aluminum plate detail



SUGGESTED PCB LAYOUT (TOP VIEW)

专利产品

REV.	DATE	DESCRIPTION	APPD.
B/0	2016.04.18	NEW RELEASE	

NO.	DESCRIPTION	QTY	MATERIAL	PLATING/COLOR
③	Solder Tab	2	Phosphor Bronze	Mattn Sn
②	Material	4	Phosphor Bronze	Mattn Sn
①	Insulator	1	LCP (UL94V-0)	Nature (Beige)

Tolerance	Model Name: 2.00-1.50mm pitch 90° SMT TYPE	SCALE: FULL	REVISION: B/0
X.X ±0.30 X.XX ±0.20 X.XXX ±0.10 Angle ±3.0°	Model No: TD201501MGB-04-F2MB-R		
UNIT: mm			Drawn: 蔡忠忠 2016.04.18 Checked: 林旭芝 Approved: 刘祚杰
	CNJST 浙江捷仕泰电子有限公司 ZHEJIANG JIESHITAI ELECTRONIC CO., LTD		DWG NO. CNJST/GCCP-0440