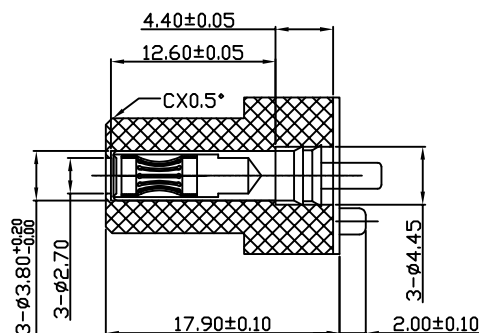
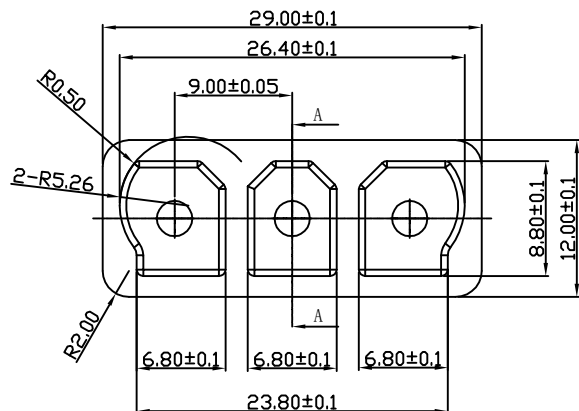
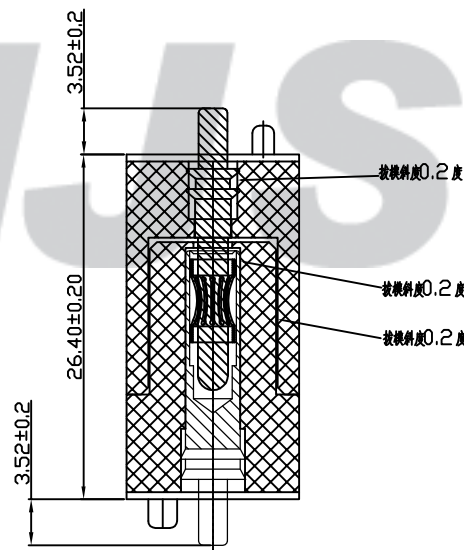
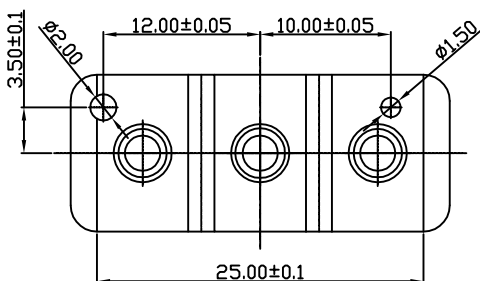
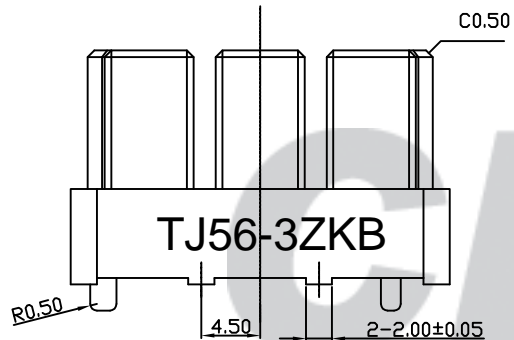


RoHS Compliant

成品图



SECTION: A-A

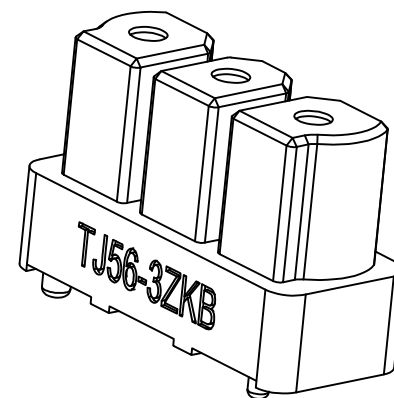


SPECIFICATION

- 1 Contact resistance:  $\leq 2m\Omega$
- 2 Insulation resistance:  $\geq 3000M\Omega$
- 3 Rated voltage: 250 V AC DC
- 4 Rated current: 25A AC DC
- 5 Withstand Voltage: 2500V AC/minute
- 6 Temperature Range:  $-25^{\circ}C \sim +85^{\circ}C$

ORDER INFORMATION:

B9001GB-03-F2ME-P			
Part No.			
No. of Circuits:	03	PACKAGING:	P=Pe
PLASTIC MATERIAL:	F2M=LCP (waite)	PLATING:	E=Gold-plated



Tolerance X.X ±0.30 X.XX ±0.20 X.XXX ±0.10 Angle ±3.0°	Model Name: 9.00mm PITCH 180° BOARD TO BOARD MALE WAFER		Drawn: 蔡忠忠 2016.05.09
	Model No: B9001GB-03-F2ME-P		
UNIT: mm	SCALE: FULL	REVISION: B/0	Checked: 林旭芝
	<b>CNJST</b> 浙江捷仕泰电子有限公司 ZHEJIANG JIESHITAI ELECTRONIC CO., LTD		Approved: 刘祚杰
			DWG NO. CNJST/GCCP-0485

REV.	DATE	DESCRIPTION	APPD.	NO.	DESCRIPTION	QTY	MATERIAL	PLATING/COLOR
B/0	2016.05.09	NEW RELEASE		②	Contacts	3	Brass	Gold/Tin-plated
				①	Insulator	1	LCP(UL94 V-0)	Nature(Beige)