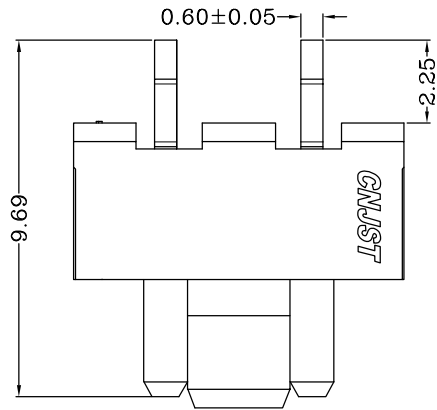


RoHS Compliant

成品图



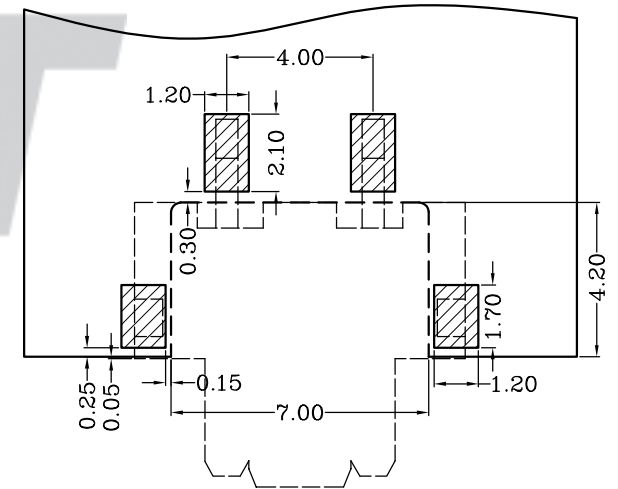
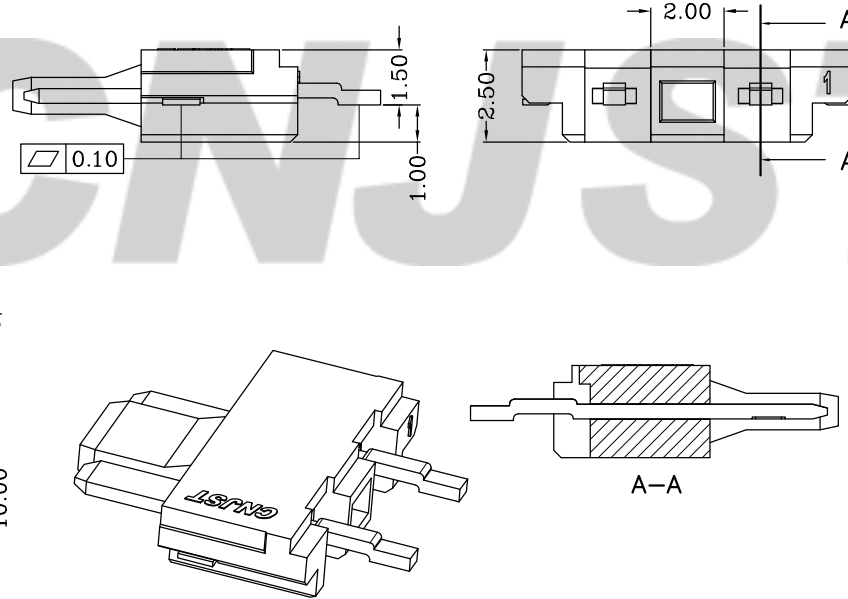
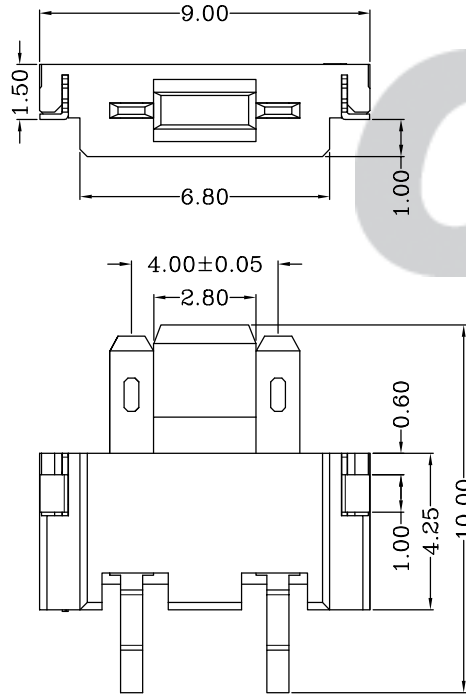
ORDER INFORMATION:

B4001G-02-F2MB-R

PART No. _____
 No. OF CIRCUITS: _____ PACKAGING: _____
 02 R=Reel
 PLASTIC MATERIAL: _____ PLATING: _____
 F2M=LCP (Nature) B=Mattn Sn

SPECIFICATION

- 1 Contact resistance: $\leq 30m\Omega$
- 2 Insulation resistance: $\geq 1000M\Omega$
- 3 Rated voltage: 250 V AC DC
- 4 Rated current: 1 A AC DC
- 5 Withstand Voltage: 1500V AC/minute
- 6 Temperature Range: $-25^{\circ}C \sim +85^{\circ}C$



PCB LAYOUT
 T=1.00mm

专利产品

B/02016.04.12	NEW RELEASE		
REV.	DATE	DESCRIPTION	APPD.

③	Solder Tab	2	Brass	Mattn Sn
②	Contacts	2	Phosphor Bronze	Mattn Sn
①	Insulator	1	LCP (UL94V-0)	Nature
NO.	DESCRIPTION	QTY	MATERIAL	PLATING/COLOR

Tolerance	Model Name: 4.00mm pitch BTB MALE SMT R/A TYPE
X.X ±0.30	Model No: B4001G-02-F2MB-R
X.XX ±0.20	
X.XXX ±0.10	
Angle ±3.0°	

	SCALE: FULL	REVISION: B/0
--	-------------	---------------

Drawn: 张育斌 2016.05.03
Checked: 林旭芝
Approved: 刘祚杰
DWG NO. CNJST/GCCP-0412

UNIT: mm
CNJST 浙江捷仕泰电子有限公司
 ZHEJIANG JIESHITAI ELECTRONIC CO., LTD