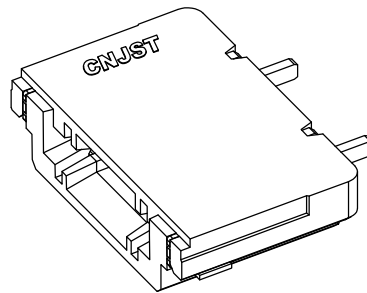
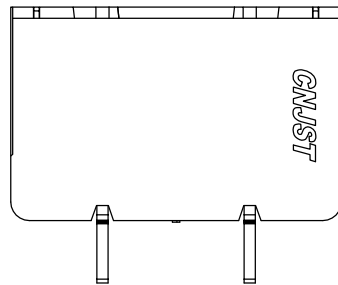
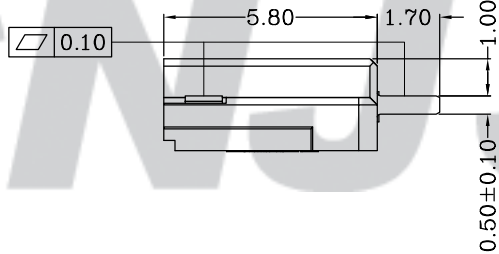
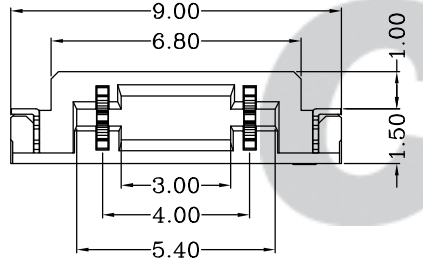
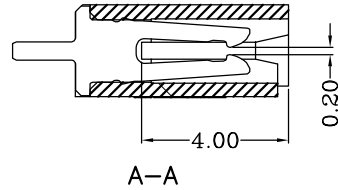
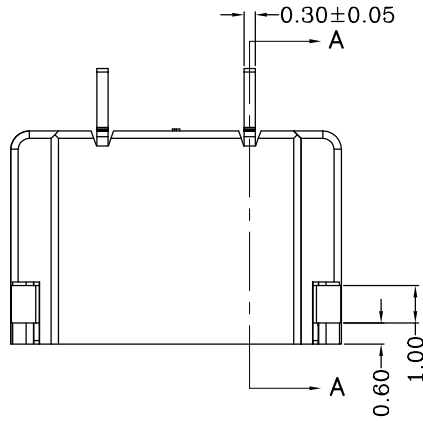


RoHS Compliant

成品图



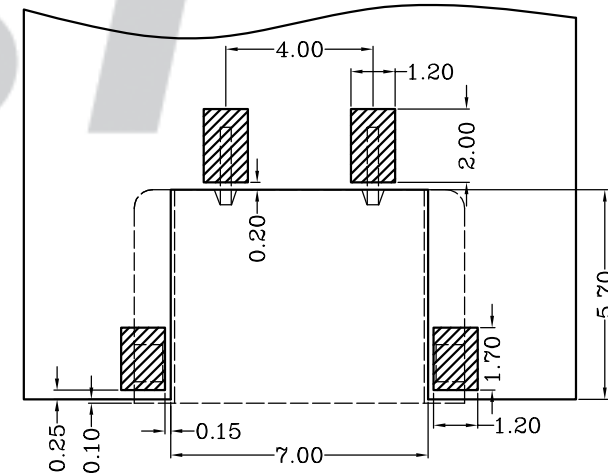
SPECIFICATION

- 1 Contact resistance: $\leq 30m\Omega$
- 2 Insulation resistance: $\geq 1000M\Omega$
- 3 Rated voltage: 250 V AC DC
- 4 Rated current: 1 A AC DC
- 5 Withstand Voltage: 1500V AC/minute
- 6 Temperature Range: $-25^{\circ}C \sim +85^{\circ}C$

ORDER INFORMATION:

B4001M-02-F2MB-R

PART No:		PACKAGING:
No. OF CIRCUITS:	02	R=Reel
PLASTIC MATERIAL:	F2M=LCP (Nature)	PLATING:
		B=Mattn Sn



PCB LAYOUT
T=1.00mm

专利产品

Tolerance X.X ±0.30 X.XX ±0.20 X.XXX ±0.10 Angle ±3.0°	Model Name: 4.00mm pitch BTB FEMALE SMT R/A TYPE	SCALE: FULL REVISION: B/0	Drawn: 张育斌 2016.05.03
	Model No: B4001M-02-F2MB-R		Checked: 林旭芝
UNIT: mm	CNJST 浙江捷仕泰电子有限公司 ZHEJIANG JIESHITAI ELECTRONIC CO., LTD		Approved: 刘祚杰
			DWG NO. CNJST/GCCP-0411

REV.	DATE	DESCRIPTION	APPD.	NO.	DESCRIPTION	QTY	MATERIAL	PLATING/COLOR
				③	Solder Tab	2	Brass	Mattn Sn
				②	Contacts	2	Phosphor Bronze	Mattn Sn
				①	Insulator	1	LCP (UL94V-0)	Nature
B/0	2016.04.12	NEW RELEASE						