

RoHS Compliant

成品图

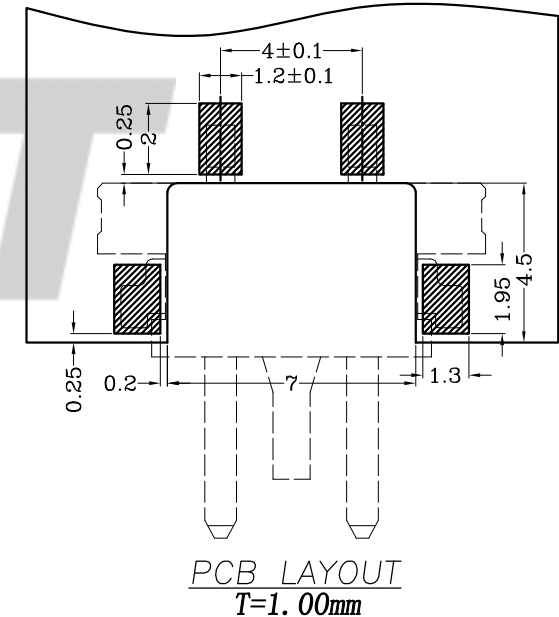
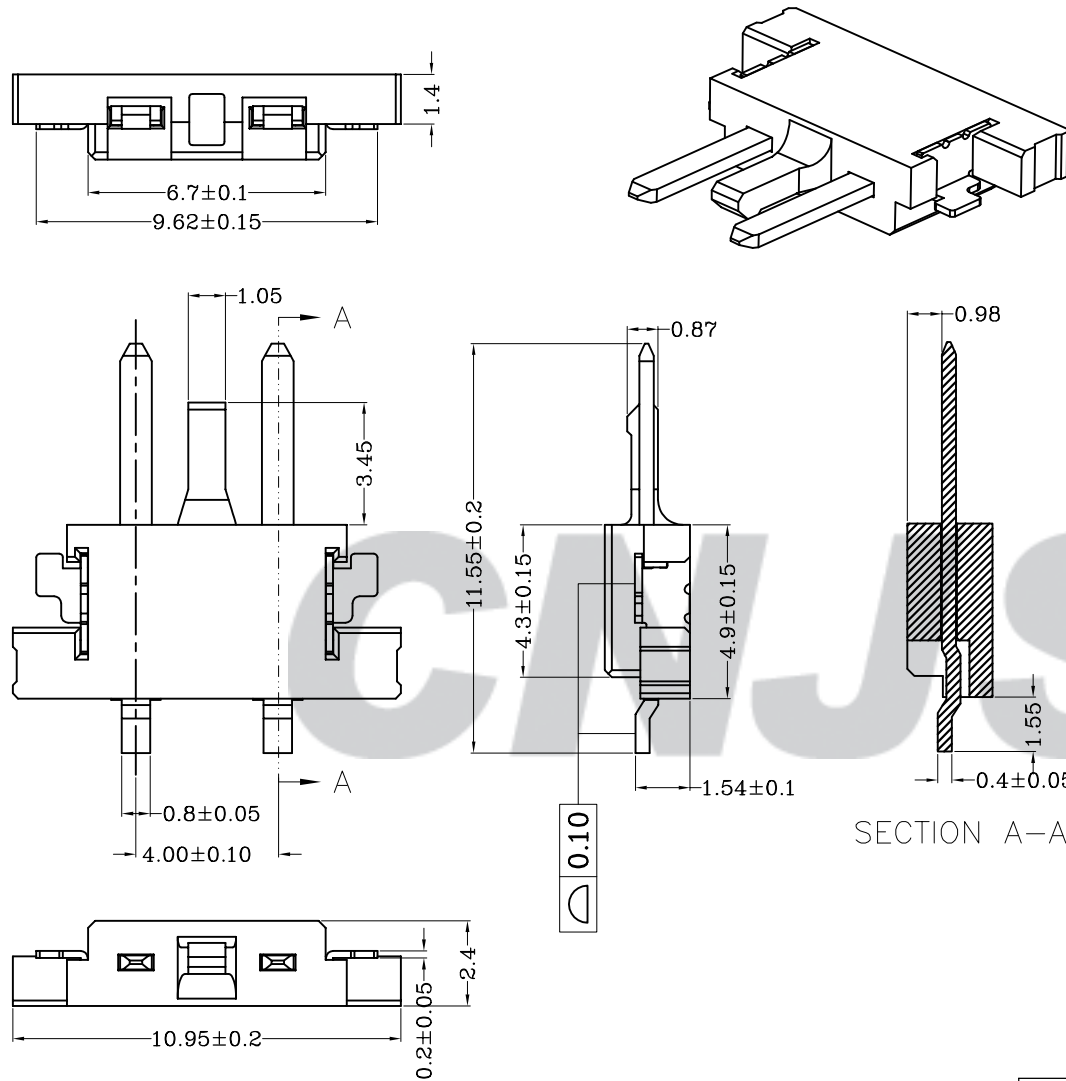
SPECIFICATION

- 1 Contact resistance: $\leq 30m\Omega$
- 2 Insulation resistance: $\geq 1000M\Omega$
- 3 Rated voltage: 400 V AC DC
- 4 Rated current: 1 A AC DC
- 5 Withstand Voltage: 1800V AC/minute
- 6 Temperature Range: $-25^{\circ}C \sim +85^{\circ}C$

ORDER INFORMATION:

B4002G-02-F2MB-R

PART No.		PACKAGING:
No. OF CIRCUITS:	02	G=TUBE
PLASTIC MATERIAL:	F2M=LCP (Nature)	R=Reel
		PLATING:
		B=Mattn Sn



REV.	DATE	DESCRIPTION	APPD.	NO.	DESCRIPTION	QTY	MATERIAL	PLATING/COLOR
				③	Solder Tab	2	Brass	Mattn Sn
				②	Contacts	2	Phosphor Bronze	Mattn Sn
				①	Insulator	1	LCP(UL94V-0)	Nature
B/02	2016.04.12	NEW RELEASE						

Tolerance	Model Name: 4.00mm pitch BTB MALE SMT R/A TYPE	SCALE: FULL	REVISION: B/0
X.X ± 0.30	Model No: B4002G-02-F2MB-R		
X.XX ± 0.20			
X.XXX ± 0.10			
Angle $\pm 3.0^{\circ}$			
UNIT: mm	CNJST 浙江捷仕泰电子有限公司		
	ZHEJIANG JIESHITAI ELECTRONIC CO., LTD		

Drawn: 张育斌 2016.06.12

Checked: 林旭芝

Approved: 刘祚杰

DWG NO. CNJST/GCCP-0454