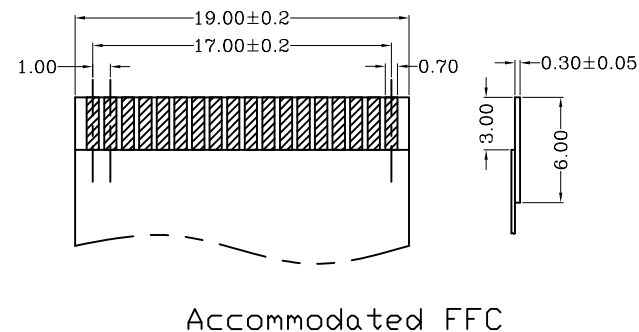
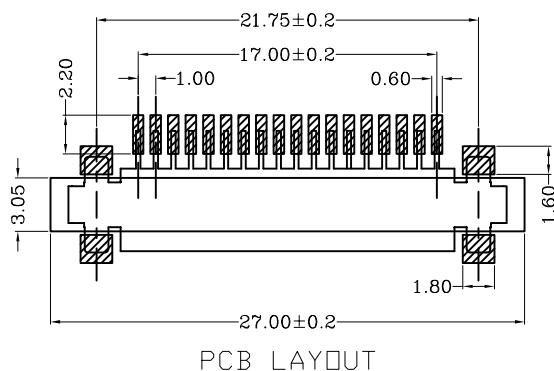
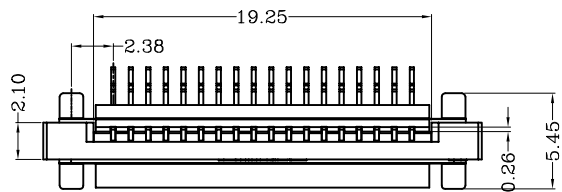
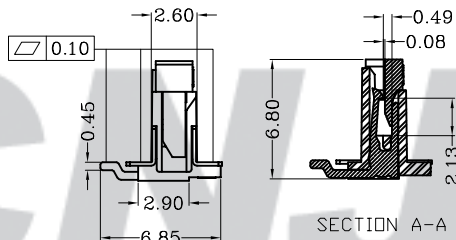
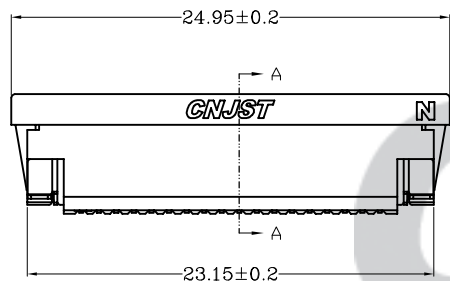
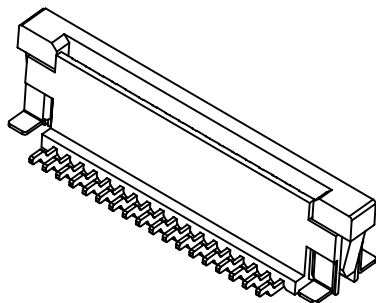
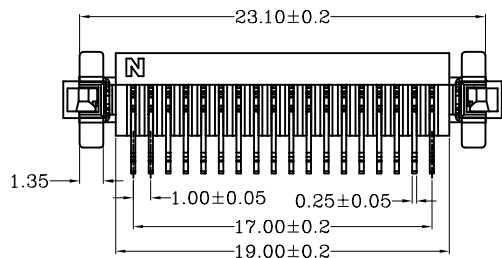


RoHS Compliant

成品图



SPECIFICATION

- 1 Contact resistance: $\leq 30m\Omega$
- 2 Insulation resistance: $\geq 500M\Omega$
- 3 Rated voltage: 50 V AC DC
- 4 Rated current: 0.5 A AC DC
- 5 Withstand Voltage: 500V AC/minute
- 6 Temperature Range: $-20^{\circ}C \sim +85^{\circ}C$

ORDER INFORMATION:

FA1001AWV-18-F2MA-R

PART No. _____

No. OF CIRCUITS: _____

PLASTIC MATERIAL: _____

F2M=LCP (Nature)

PACKAGING: _____

R=Reel

PLATING: _____

A=Tin-plated

专利产品

Tolerance	Model Name: 1.00mm pitch 180° FFC/FPC TYPE	Drawn: 蔡忠忠 2016.04.12
X.X ±0.30	Model No: FA1001AWV-18-F2MA-R	
X.XX ±0.20	SCALE: FULL REVISION: B/0	Checked: 林旭芝
X.XXX ±0.10		Approved: 刘祚杰
Angle ±3.0°		Approved: 刘祚杰
UNIT: mm		
		DWG NO. CNJST/GCCP-0458

REV.	DATE	DESCRIPTION	APPD.	NO.	DESCRIPTION	QTY	MATERIAL	PLATING/COLOR
B/0	2016.04.12	NEW RELEASE		③	Solder Tabs	2	Brass	Tin-plated
				②	Material	18	Phosphor Bronze	Tin-plated
				①	Insulator	1	LCP (UL94V-0)	Nature (Beige)