

RoHS Compliant

成品图

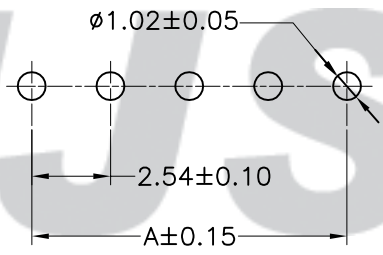
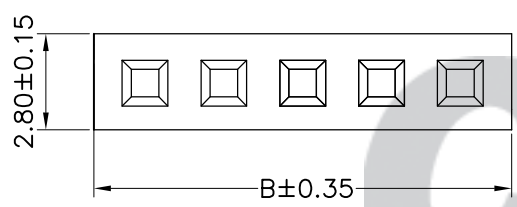
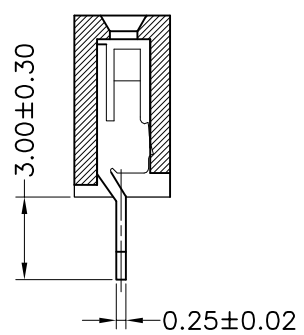
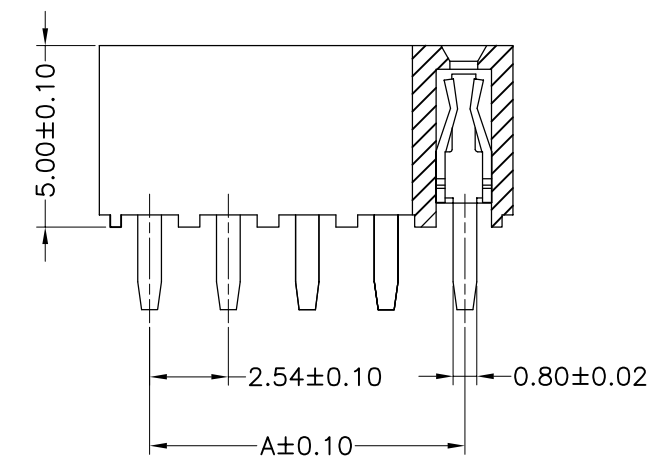
SPECIFICATION

- 1 Contact resistance: $\leq 20m\Omega$
- 2 Insulation resistance: $\geq 1000M\Omega$
- 3 Rated voltage: 250 V AC DC
- 4 Rated current: 3.0 A AC DC
- 5 Withstand Voltage: 1000 V AC/minute
- 6 Temperature Range: $-25^{\circ}C \sim +85^{\circ}C$

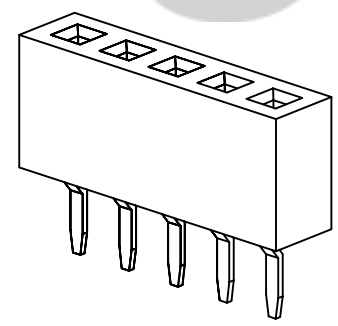
ORDER INFORMATION:

P2544A--C3KC-B**

PART No.:		PACKAGING:	B=Tray
No. OF CIRCUITS:	202~240	PLATING:	C=Gold-Flash
PLASTIC MATERIAL:	C3K=PA6T (Black)		



PCB LAYOUT



Circuits	Dimensions		Circuits	Dimensions	
	A	B		A	B
02	2.54	5.58	22	53.34	56.38
03	5.08	8.12	23	55.88	58.92
04	7.62	10.66	24	58.42	61.46
05	10.16	13.20	25	60.96	64.00
06	12.70	15.74	26	63.50	66.54
07	15.24	18.28	27	66.04	69.08
08	17.78	20.82	28	68.58	71.62
09	20.32	23.36	29	71.12	74.16
10	22.86	25.90	30	73.66	76.70
11	25.40	28.44	31	76.20	79.24
12	27.94	30.98	32	78.74	81.78
13	30.48	33.52	33	81.28	84.32
14	33.02	36.06	34	83.82	86.86
15	35.56	38.60	35	86.36	89.40
16	38.10	41.14	36	88.90	91.94
17	40.64	43.68	37	91.44	94.48
18	43.18	46.22	38	93.98	97.02
19	45.72	48.76	39	96.52	99.56
20	48.26	51.30	40	99.06	102.10
21	50.80	53.84			

REV.	DATE	DESCRIPTION	APPD.
B/0	2016.04.12	NEW RELEASE	

NO.	DESCRIPTION	QTY	MATERIAL	PLATING/COLOR
②	Material	04~40	Brass	Gold-Flash
①	Insulator	1	PA6T (UL94V-0)	Black

Tolerance X.X ±0.30 X.XX ±0.20 X.XXX ±0.10 Angle ±3.0°	Model Name: 2.54mm Pitch 180° Dual Row Female Header-SMT TYPE		Drawn: 张育斌 2016.06.11
	Model No: P2544A-**-C3KC-B		
UNIT: mm	SCALE: FULL	REVISION: B/0	Checked: 林旭芝
	CNJST 浙江捷仕泰电子有限公司 ZHEJIANG JIESHITAI ELECTRONIC CO., LTD		Approved: 刘祚杰
			DWG NO. CNJST/GCCP-0309