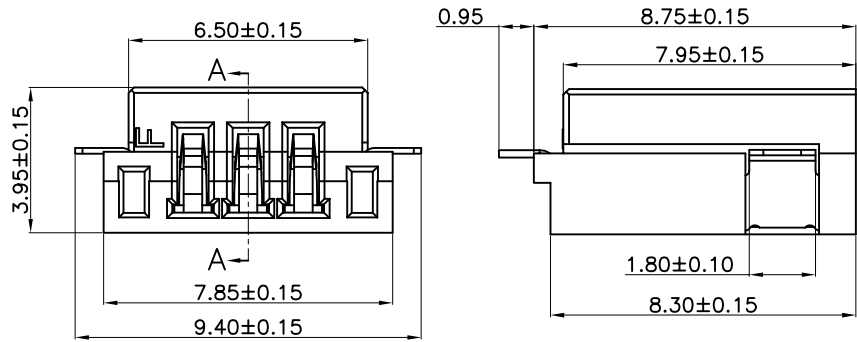
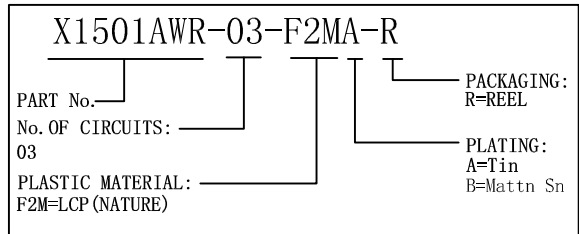


RoHS Compliant

成品图

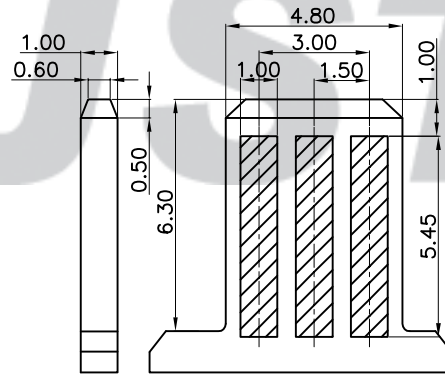
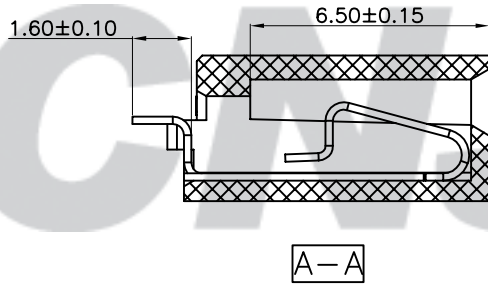
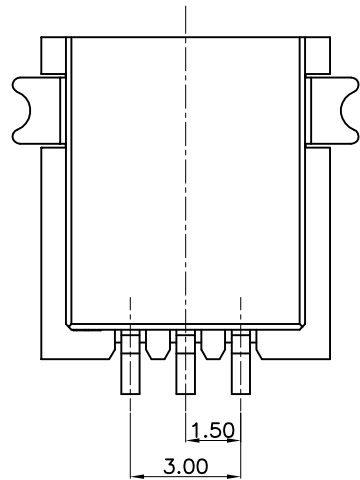


ORDER INFORMATION:

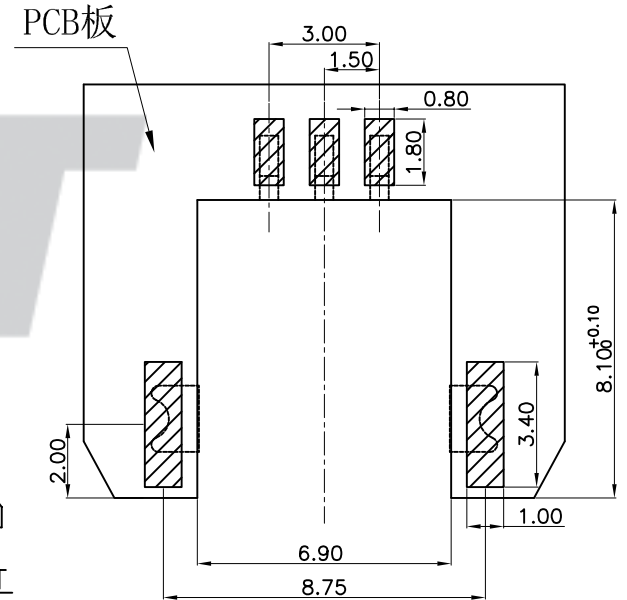


SPECIFICATION

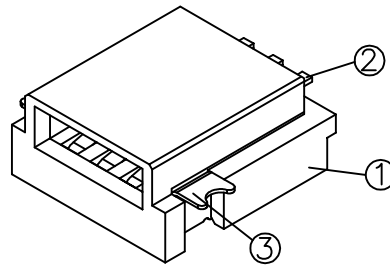
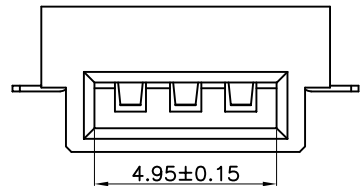
- 1 Contact resistance:  $\leq 30m\Omega$
- 2 Insulation resistance:  $\geq 1000M\Omega$
- 3 Rated voltage: 150 V AC DC
- 4 Rated current: 1.0 A AC DC
- 5 Withstand Voltage: 1400V AC/minute
- 6 Temperature Range:  $-25^{\circ}C \sim +85^{\circ}C$



POWER BOARD LAYOUT  
(TOLERANCE= $\pm 0.05$ )



PCB LAYOUT  
(TOLERANCE= $\pm 0.05$ )



专利产品

B/0	2016.04.12	NEW RELEASE	
REV.	DATE	DESCRIPTION	APPD.

③	Solder Tab	2	Brass	Tin-plated
②	Contacts	3	Phosphor Bronze	Tin-plated
①	Insulator	1	LCP	Nature
NO.	DESCRIPTION	QTY	MATERIAL	PLATING/COLOR

Tolerance	Model Name: 1.50mm pitch 90° WAFER-SMT TYPE
X.X ±0.30	Model No: X1501AWR-03-F2MA-R
X.XX ±0.20	
X.XXX ±0.10	
Angle $\pm 3.0^{\circ}$	
UNIT: mm	

	SCALE: FULL	REVISION: B/0
<b>CNJST</b> 浙江捷仕泰电子有限公司		
ZHEJIANG JIESHITAI ELECTRONIC CO., LTD		

Drawn: 张育斌 2016.04.13
Checked: 林旭芝
Approved: 刘祚杰
DWG NO. CNJST/GCCP-0400