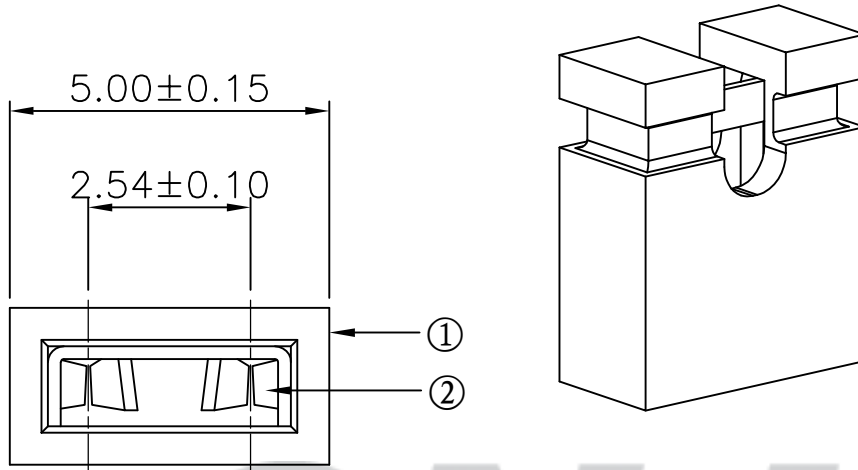


RoHS Compliant

成品图



SPECIFICATION

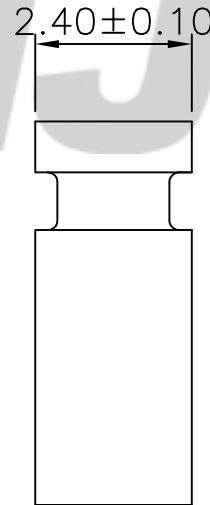
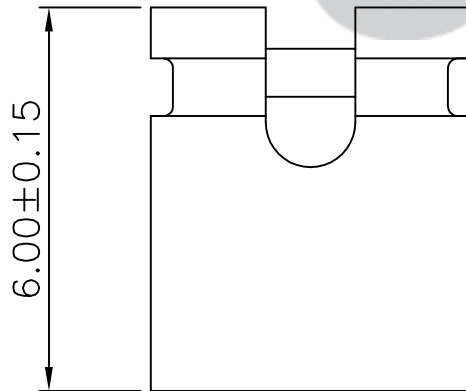
- 1 Contact resistance: $\leq 20m\Omega$
- 2 Insulation resistance: $\geq 1000M\Omega$
- 3 Rated voltage: 250 V AC DC
- 4 Rated current: 1.5 A AC DC
- 5 Withstand Voltage: 500V AC/minute
- 6 Temperature Range: $-25^{\circ}C \sim +85^{\circ}C$

ORDER INFORMATION:

P2543A-02-E2KD-P

PART No. _____
 No. OF CIRCUITS: _____
 02
 PLASTIC MATERIAL: _____
 E2K=PBT (BLACK)

PACKAGING:
 P=PE
 PLATING:
 D=Gold+Ni



B/0	2016.05.04	NEW RELEASE	
REV.	DATE	DESCRIPTION	APPD.

②	Contacts	2	Brass	Contact area G/F 0.8U", Other Ni-plated
①	Insulator	1	PBT (UL94V-0)	Black
NO.	DESCRIPTION	QTY	MATERIAL	PLATING/COLOR

Tolerance	Model Name: 2.54mm MINI JUMPER
X.X ±0.30	Model No: P2543A-02-E2KD-P
X.XX ±0.20	SCALE: FULL
X.XXX ±0.10	REVISION: B/0
Angle ±3.0°	
UNIT: mm	CNJST 浙江捷仕泰电子有限公司 ZHEJIANG JIESHITAI ELECTRONIC CO., LTD

Drawn: 蔡忠忠 2016.05.04
Checked: 林旭芝
Approved: 刘祚杰
DWG NO. CNJST/GCCP-0036