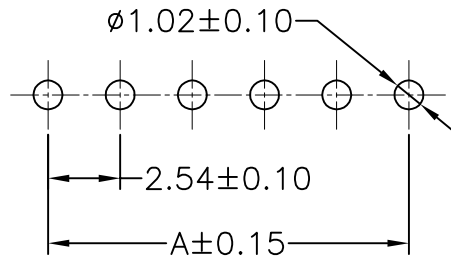
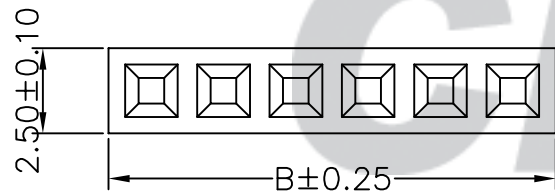
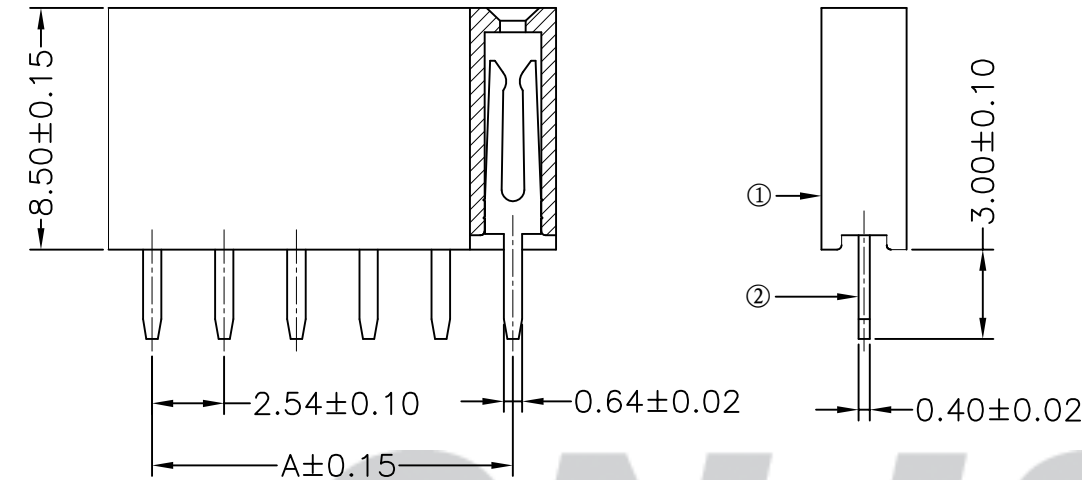


RoHS Compliant

成品图



SUGGESTED PCB LAYOUT
(COMPONENT SIDE)

SPECIFICATION

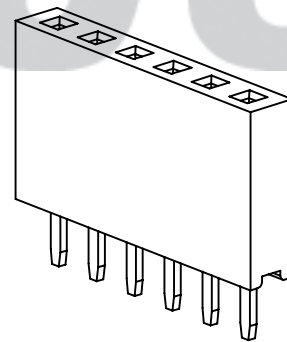
- 1 Contact resistance: $\leq 20m\Omega$
- 2 Insulation resistance: $\geq 1000M\Omega$
- 3 Rated voltage: 250 V AC DC
- 4 Rated current: 3.0 A AC DC
- 5 Withstand Voltage: 1000V AC/minute
- 6 Temperature Range: $-25^{\circ}C \sim +85^{\circ}C$

ORDER INFORMATION:

P2542A--E2KC-B**

PART No.:		PACKAGING:	B=Tray
No. OF CIRCUITS:	03~40	PLATING:	C=Gold-plated
PLASTIC MATERIAL:	E2K=PBT (BLACK) C2K=PA6T (BLACK)		

Circuits	Dimensions (mm)		Circuits	Dimensions (mm)	
	A	B		A	B
03	5.08	8.12	22	53.34	56.38
04	7.62	10.66	23	55.88	58.92
05	10.16	13.20	24	58.42	61.46
06	12.70	15.74	25	60.96	64.00
07	15.24	18.28	26	63.50	66.54
08	17.78	20.82	27	66.04	69.08
09	20.32	23.36	28	68.58	71.62
10	22.86	25.90	29	71.12	74.16
11	25.40	28.44	30	73.66	76.70
12	27.94	30.98	31	76.20	79.24
13	30.48	33.52	32	78.74	81.78
14	33.02	36.06	33	81.28	84.32
15	35.56	38.60	34	83.82	86.86
16	38.10	41.14	35	86.36	89.40
17	40.64	43.68	36	88.90	91.94
18	43.18	46.22	37	91.44	94.48
19	45.72	48.76	38	93.98	97.02
20	48.26	51.30	39	96.52	99.56
21	50.80	53.84	40	99.06	102.10



Tolerance X.X ±0.30 X.XX ±0.20 X.XXX ±0.10 Angle ±3.0°	Model Name: 2.54mm PITCH 180° Female Header Straight	SCALE: FULL REVISION: B/0	Drawn: 蔡忠忠 2016.05.24
	Model No: P2542A-**-E2KC-B		Checked: 林旭芝
UNIT: mm	CNJST 浙江捷仕泰电子有限公司 ZHEJIANG JIESHITAI ELECTRONIC CO., LTD		Approved: 刘祥杰
			DWG NO. CNJST/GCCP-0188

REV.	DATE	DESCRIPTION	APPD.	NO.	DESCRIPTION	QTY	MATERIAL	PLATING/COLOR
B/0	2016.05.24	NEW RELEASE		②	Contacts	3~40	Phosphor Bronze	Gold-plated
				①	Insulator	1	PBT (UL94V-0)	BLACK