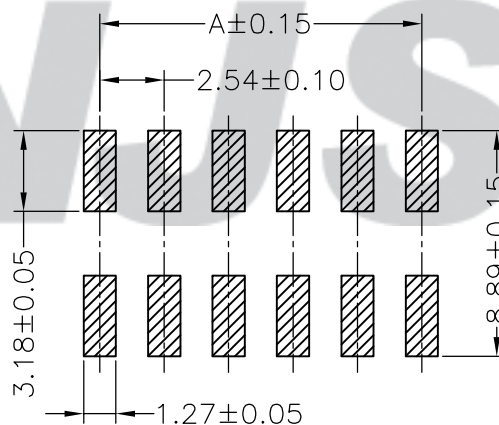
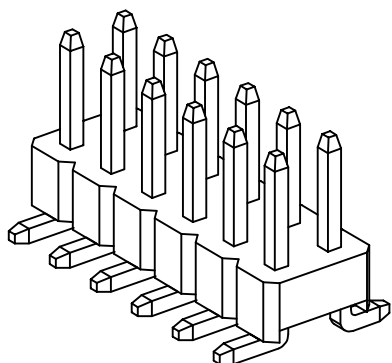
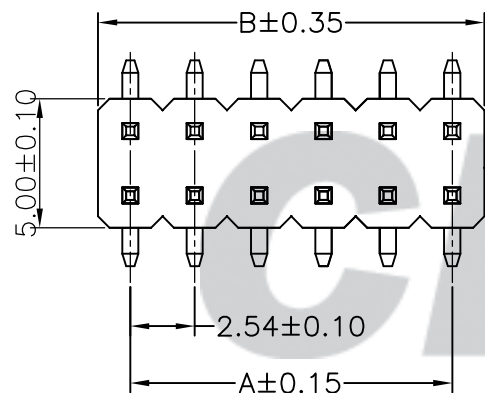
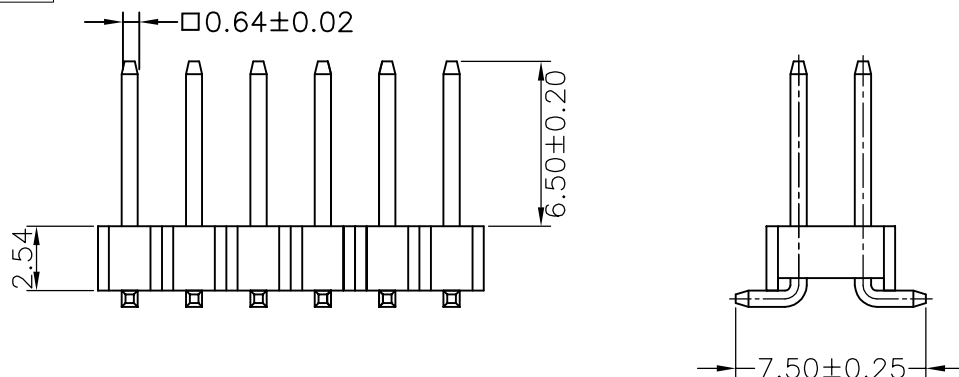


RoHS Compliant

成品图



SUGGESTED PCB LAYOUT
(COMPONENT SIDE)

SPECIFICATION

- 1 Contact resistance: $\leq 20m\Omega$
- 2 Insulation resistance: $\geq 1000M\Omega$
- 3 Rated voltage: 250 V AC DC
- 4 Rated current: 2.5 A AC DC
- 5 Withstand Voltage: 800V AC/minute
- 6 Temperature Range: $-25^{\circ}C \sim +85^{\circ}C$

ORDER INFORMATION:

A2541AWV-*-C3KC-***

PART No.

No. OF CIRCUITS:

2X2~2X40

PLASTIC MATERIAL:

C3K=PA6T (BLACK)

PACKAGING:
B=TRAY
G=TUBE
R=Reel

PLATING:
C=Gold Flash

Circuits	Dimensions (mm)		Circuits	Dimensions (mm)	
	A	B		A	B
201 (2X1)	0.00	2.54	221 (2X21)	50.80	53.34
202 (2X2)	2.54	5.08	222 (2X22)	53.34	55.88
203 (2X3)	5.08	7.62	223 (2X23)	55.88	58.42
204 (2X4)	7.62	10.16	224 (2X24)	58.42	60.96
205 (2X5)	10.16	12.70	225 (2X25)	60.96	63.50
206 (2X6)	12.70	15.24	226 (2X26)	63.50	66.04
207 (2X7)	15.24	17.78	227 (2X27)	66.04	68.58
208 (2X8)	17.78	20.32	228 (2X28)	68.58	71.12
209 (2X9)	20.32	22.86	229 (2X29)	71.12	73.66
210 (2X10)	22.86	25.40	230 (2X30)	73.66	76.20
211 (2X11)	25.40	27.94	231 (2X31)	76.20	78.74
212 (2X12)	27.94	30.48	232 (2X32)	78.74	81.28
213 (2X13)	30.48	33.02	233 (2X33)	81.28	83.82
214 (2X14)	33.02	35.56	234 (2X34)	83.82	86.36
215 (2X15)	35.56	38.10	235 (2X35)	86.36	88.90
216 (2X16)	38.10	40.64	236 (2X36)	88.90	91.44
217 (2X17)	40.64	43.18	237 (2X37)	91.44	93.98
218 (2X18)	43.18	45.72	238 (2X38)	93.98	96.52
219 (2X19)	45.72	48.26	239 (2X39)	96.52	99.06
220 (2X20)	48.26	50.80	240 (2X40)	99.06	101.60

Tolerance X.X ±0.30 X.XX ±0.20 X.XXX ±0.10 Angle ±3.0°	Model Name: 2.54mm PITCH 180° Dual row Pin Header, SMT		Drawn: 蔡忠忠 2016.05.10
	Model No: A2541AWV-***-C3KC-*		
UNIT: mm	SCALE: FULL	REVISION: B/0	Checked: 林旭芝
	CNJST 浙江捷仕泰电子有限公司 ZHEJIANG JIESHITAI ELECTRONIC CO., LTD		Approved: 刘祚杰
			DWG NO. CNJST/GCCP-0088

REV.	DATE	DESCRIPTION	APPD.	NO.	DESCRIPTION	QTY	MATERIAL	PLATING/COLOR
B/O	2016.05.10	NEW RELEASE		②	Contacts	2~80	Brass	Gold Flash
				①	Insulator	1	PA6T (UL94V-0)	Black