

RoHS Compliant

成品图

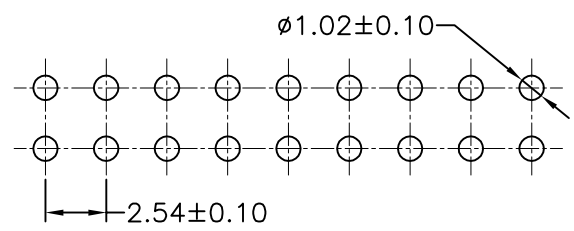
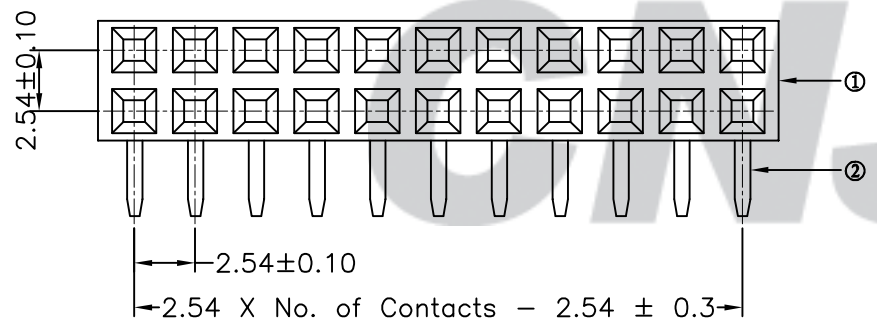
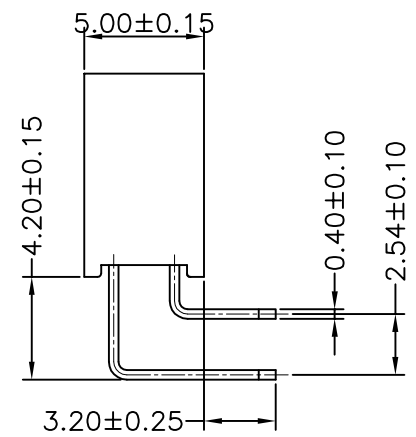
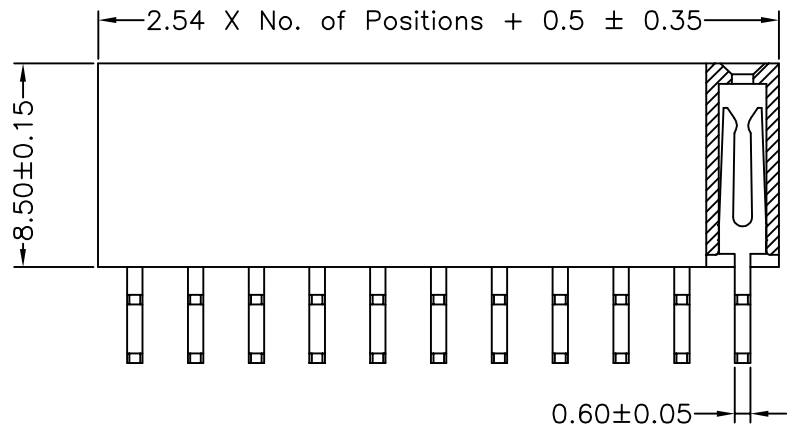
SPECIFICATION

- 1 Contact resistance:  $\leq 20m\Omega$
- 2 Insulation resistance:  $\geq 1000M\Omega$
- 3 Rated voltage: 250 V AC DC
- 4 Rated current: 1.5 A AC DC
- 5 Withstand Voltage: 500V AC/minute
- 6 Temperature Range:  $-25^{\circ}C \sim +85^{\circ}C$

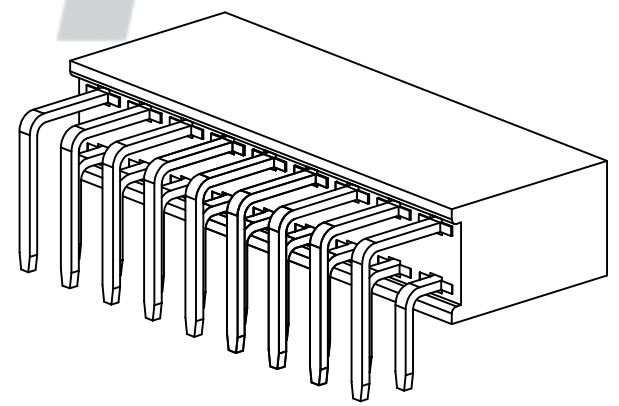
ORDER INFORMATION:

**P2542AW-\*\*\*-E2KC-B**

PART No.	***	E2KC	B
No. OF CIRCUITS:	2X3~2X40	PACKAGING:	B=Tray
PLASTIC MATERIAL:	E2K=PBT (BLACK) C2K=PA6T (BLACK)	PLATING:	C=Gold-plated



SUGGESTED PCB LAYOUT  
(COMPONENT SIDE)



B/0	2016.05.24	NEW RELEASE	
REV.	DATE	DESCRIPTION	APPD.

②	Contacts	6~80	Phosphor Bronze	Gold-plated
①	Insulator	1	PBT (UL94V-0)	Black
NO.	DESCRIPTION	QTY	MATERIAL	PLATING/COLOR

Tolerance	
X.X	±0.30
X.XX	±0.20
X.XXX	±0.10
Angle	±3.0°

Model Name: 2.54mm PITCH Female Header Straight 90° Wafer-DIP TYPE  
Model No: P2542AW-\*\*\*-E2KC-B

SCALE: FULL REVISION: B/0

UNIT: mm

**CNJST** 浙江捷仕泰电子有限公司  
ZHEJIANG JIESHITAI ELECTRONIC CO., LTD

Drawn: 蔡忠忠 2016.05.24  
Checked: 林旭芝  
Approved: 刘祚杰  
DWG NO. CNJST/GCCP-0185