

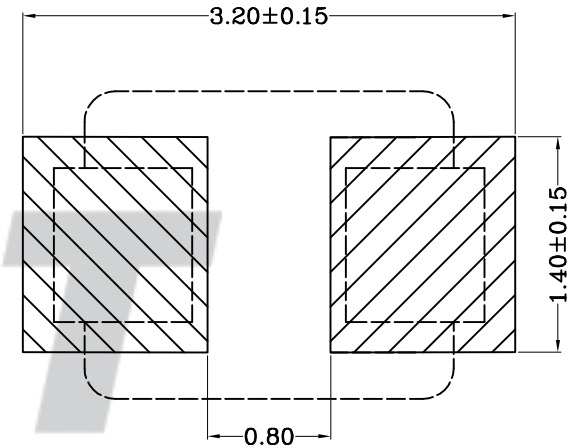
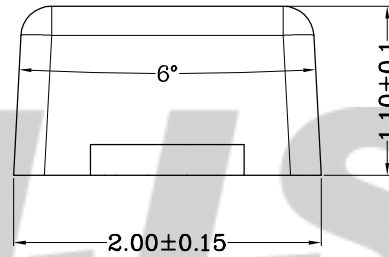
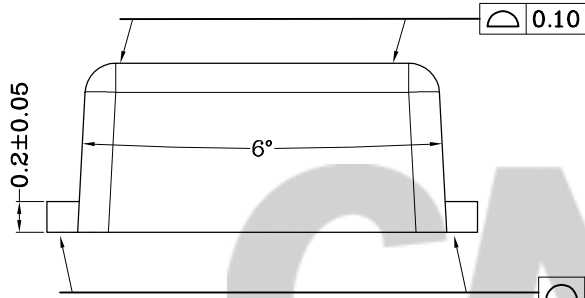
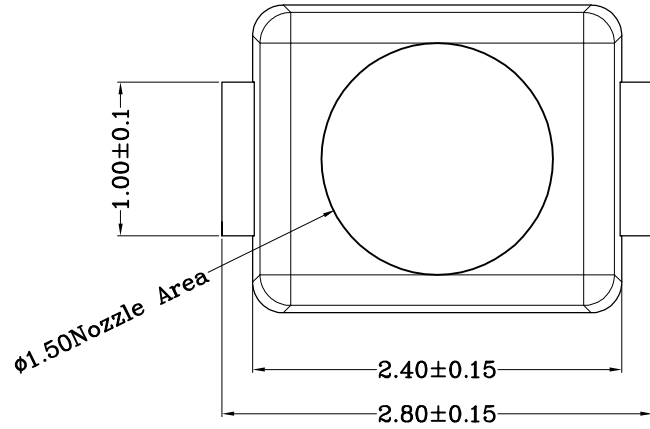
RoHS Compliant

成品图

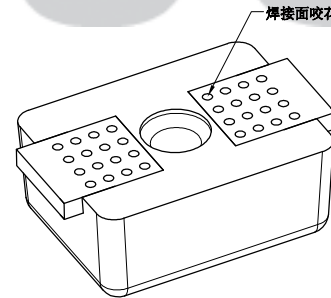
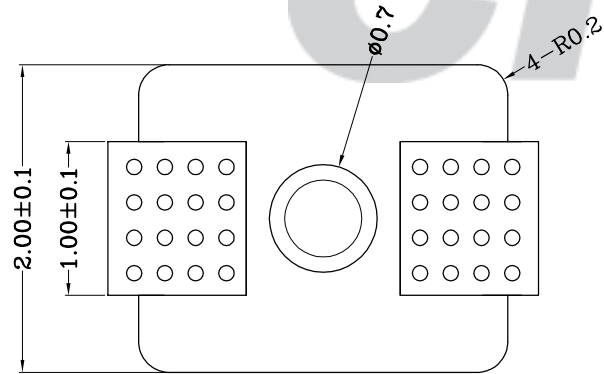
ORDER INFORMATION:

MD-282011-H1MA-R

PART No.	_____	PACKAGING:	_____
No. OF CIRCUITS:	_____	R=REEL	_____
Length	_____	PLATING:	_____
Width	_____	A=Tin-plated	_____
Height	_____	PLASTIC MATERIAL:	_____
		H1M=PPA (Nature)	



SUGGESTED PCB LAYOUT (TOP VIEW)



专利产品

REV.	DATE	DESCRIPTION	APPD.
B/0	2016.04.22	NEW RELEASE	

NO.	DESCRIPTION	QTY	MATERIAL	PLATING/COLOR
②	Conductor	2	Phosphor Bronze	Tin-plated
①	Insulator	1	PPA (UL94 V-HB不阻燃)	Nature

Tolerance	Model Name: Stopper
X.X ±0.30	Model No: MD-282011-H1MA-R
X.XX ±0.20	
X.XXX ±0.10	
Angle ±3.0°	
UNIT: mm	<b>CNJST</b> 浙江捷仕泰电子有限公司 ZHEJIANG JIESHITAI ELECTRONIC CO., LTD

Drawn: 蔡忠忠 2016.04.22
Checked: 林旭芝
Approved: 刘祚杰
DWG NO. CNJST/GCCP-0422

A

A