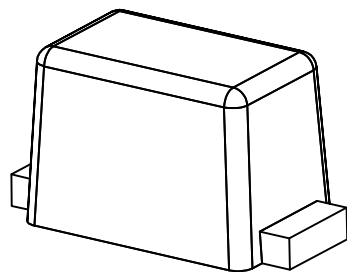
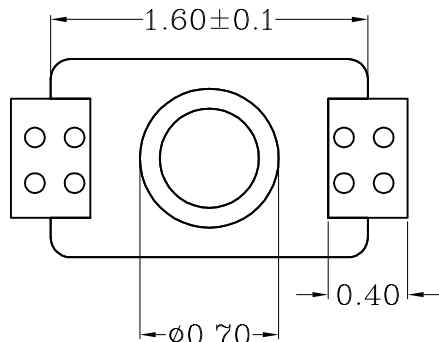


RoHS Compliant

成品图

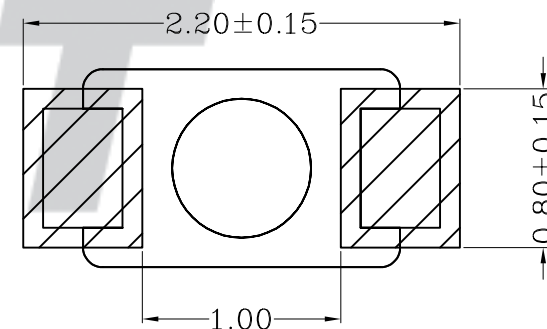
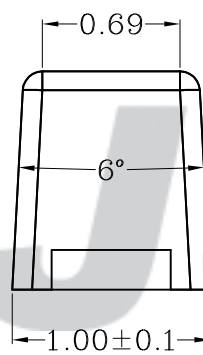
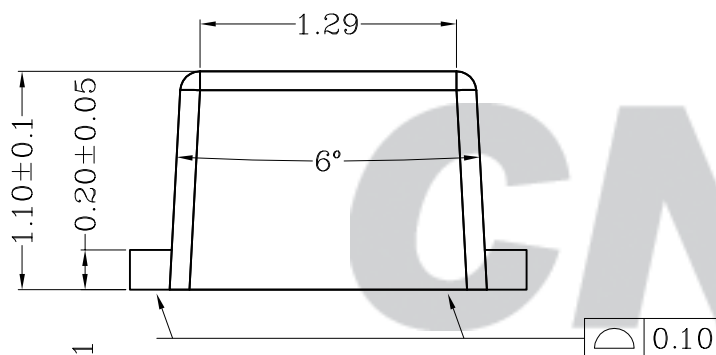


ORDER INFORMATION:

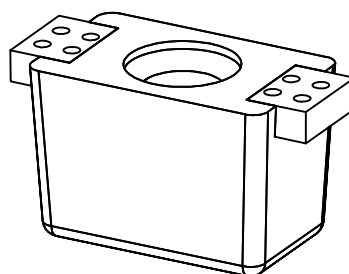
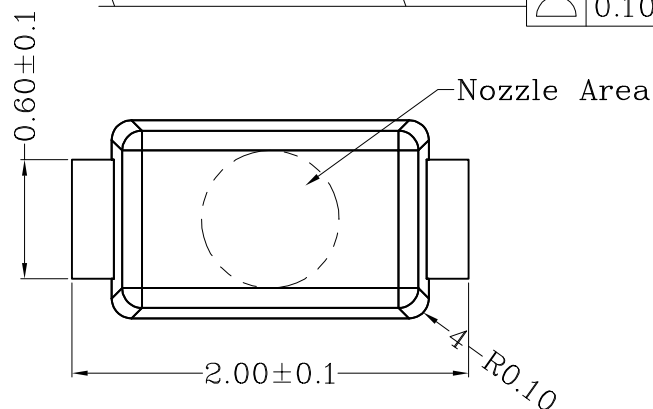
MD-201011-H1MA-R

PART No. _____
 No. OF CIRCUITS: _____
 Length _____
 Width _____
 Height _____

PACKAGING:
 R=REEL
 PLATING:
 A=Tin-plated
 PLASTIC MATERIAL:
 H1M=PPA (Nature)



SUGGESTED PCB LAYOUT
(TOP VIEW)



专利产品

REV.	DATE	DESCRIPTION	APPD.	NO.	DESCRIPTION	QTY	MATERIAL	PLATING/COLOR
B/0	2016.04.15	NEW RELEASE		②	Conductor	2	Phosphor Bronze	Tin-plated
				①	Insulator	1	PPA(不阻燃)	Nature

Tolerance	Model Name: Stopper		SCALE: FULL	REVISION: B/0
X.X ±0.30	Model No: MD-201011-H1MA-R			
X.XX ±0.20				
X.XXX ±0.10				
Angle ±3.0°				
UNIT: mm				
	CNJST 浙江捷仕泰电子有限公司 ZHEJIANG JIESHITAI ELECTRONIC CO., LTD			

Drawn: 蔡忠忠 2016.04.15
 Checked: 林旭芝
 Approved: 刘祚杰
 DWG NO. CNJST/GCCP-0457