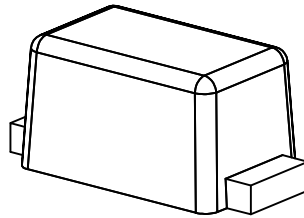
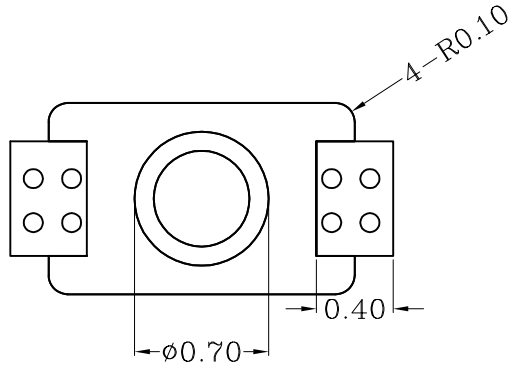


RoHS Compliant

成品图



ORDER INFORMATION:

MD-201009-H1MA-R

PART No. _____

No. OF CIRCUITS: _____

Length _____

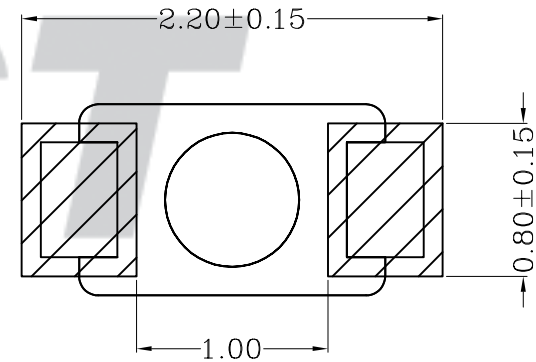
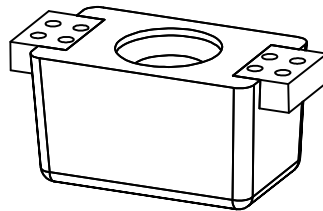
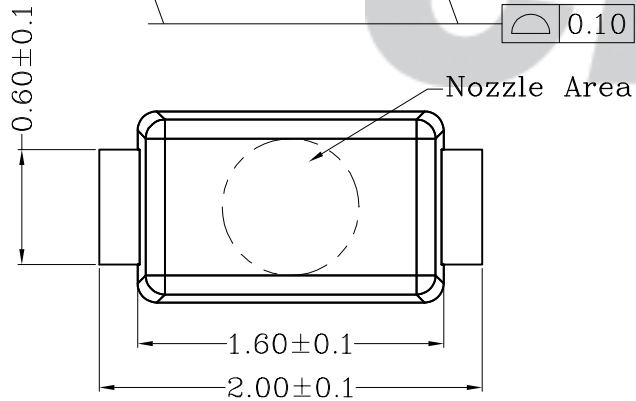
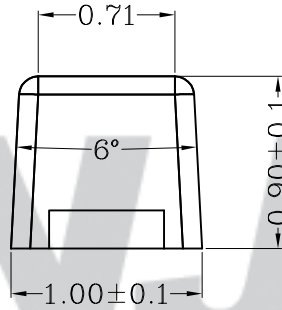
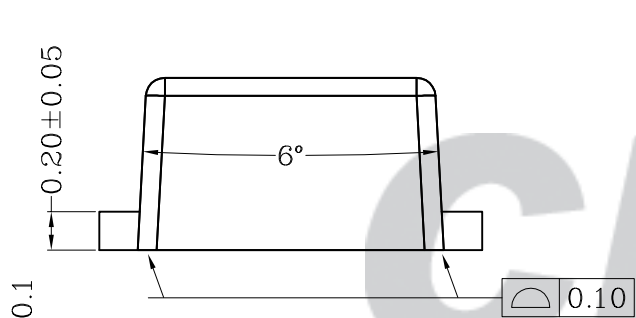
Width _____

Height _____

PACKAGING:
R=REEL

PLATING:
A=Tin-plated

PLASTIC MATERIAL:
H1M=PPA (Nature)

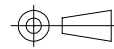


SUGGESTED PCB LAYOUT
(TOP VIEW)

专利产品

B/0	2016.04.16	NEW RELEASE	
REV.	DATE	DESCRIPTION	APPD.

②	Conductor	2	Phosphor Bronze	Tin-plated
①	Insulator	1	PPA(不阻燃)	Nature
NO.	DESCRIPTION	QTY	MATERIAL	PLATING/COLOR

Tolerance	Model Name: Stopper	
X.X ±0.30	Model No: MD-201009-H1MA-R	
X.XX ±0.20	SCALE: FULL	REVISION: B/0
X.XXX ±0.10	UNIT: mm	
Angle ±3.0°		
	CNJST 浙江捷仕泰电子有限公司 ZHEJIANG JIESHITAI ELECTRONIC CO., LTD	

Drawn: 蔡忠忠 2016. 04. 16
Checked: 林旭芝
Approved: 刘祚杰
DWG NO. CNJST/GCCP-0457